



COOKE BROTHERS

High Performance
Ironmongery

Washed Knuckle Hinges



Loadmaster



Dual Bearing



Concealed Bearing



Slimline



Shrouded Bearing



Washed Knuckle



Plain Knuckle

Washed Knuckle Hinges

Washed Knuckle Hinge Range

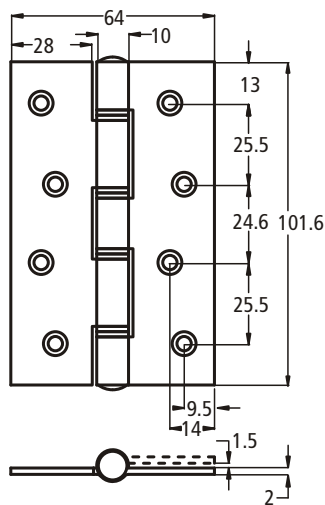
Technical Specification



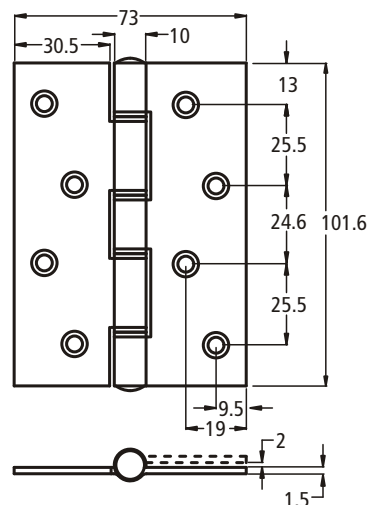
Code 7100 DW Range

- Double Washered Knuckles for additional load carrying capacity
- Spun hinge pin for additional security
- Hinge range tested to EN1935: 2002 Grade 10
- ~~Certifire approved~~ CE Marked (7125)
- Pozidrive steel or stainless steel screws included
- A range of options and finishes available
- Available in mild steel and stainless steel

Fixed Pin



Fixed Pin



The Phoenix Code 7100 Double Washered (DW) range are manufactured to suit medium duty applications.

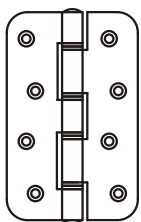
The hinge range is ideally suited for high quality internal door sets.

Available in narrow hinge widths to suit doors from 35mm upwards.

The range is ~~certifire approved and is therefore~~ ideal for apartments and communal dwellings.

All hinge options have been tested to EN1935 : 2002, ~~and are certifire approved.~~

Further options:



Radiused corners