



## Inset Handles

### Technical Specification - Issue 2

Phoenix is the brand for Cooke Brothers, which includes a comprehensive range of Hinges and innovative Architectural Door Products.

The latest Inset Handles offer a variety of themed styles, designed to give instant visual appeal. They are suitable for both internal and external doors.

There are six distinctly themed ranges: Standard, Art Deco, Twin, Eye, Edge and Yin Yang.

There is also the option for Architects and designers to design their own unique fascias in order to match a particular building décor, period, style or interior theme.

The Stainless Steel fascias are available in a range of finishes including: satin or bright polished, brass lacquered or powder coated. Aluminium fascias are available as clear or colour anodised.

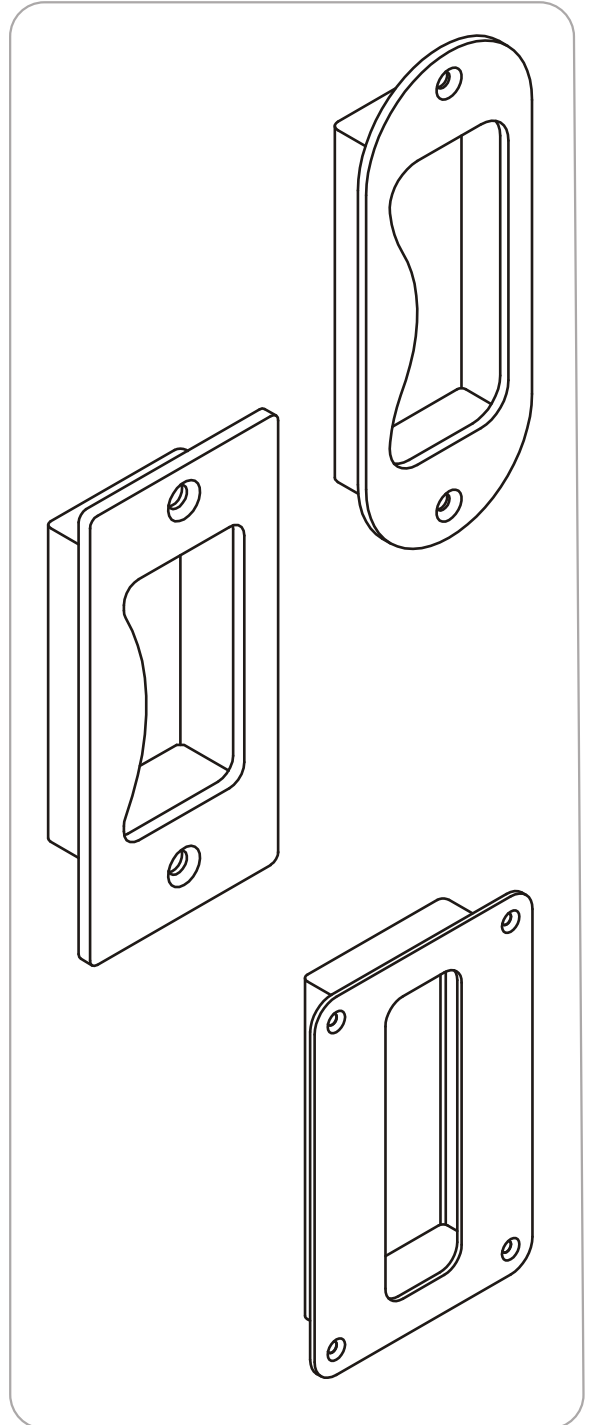
Where required bespoke screen printing of names, pictograms or logotypes can be applied to any Inset Handle fascia. Phoenix Inset Handles have been designed and tested to comply with 30 and 60 minute fire testing in accordance with BS EN 1634



# Introduction to Traditional Range



- Cooke Brothers are one of the UK's leading manufacturers of Architectural Hardware, with flush pulls and inset handles being an integral part of this range
- As new and striking designs continue to come in and out of fashion - the traditional range continues to be extremely popular with architects, specifiers and joinery contractors
- Suitable for use on many different door sets including, sliding, folding or where space constraints eliminate the use of traditional lever or pull handles, flush pulls provide a unique solution to the problem
- Available in a range of shapes, sizes and designs, Cooke Brothers traditional range of flush pulls should be your first choice during specification
- Suitable for use on fire doors following successful fire tests to BSEN1634 - Contact sales for further information
- Manufactured from Stainless Steel Grade 304 and available in a range of decorative finishes
- Cooke Brothers utilize the latest laser cutting technology as part of our manufacturing process and therefore has the ability to create unique designs or manufacture specials based upon your own requirements, please contact our sales department for more information



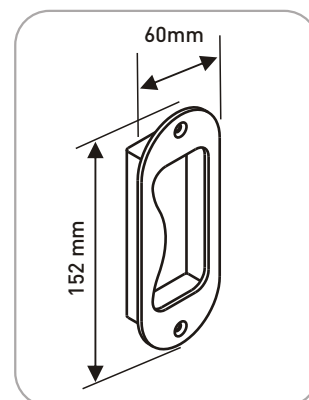


# Traditional Range

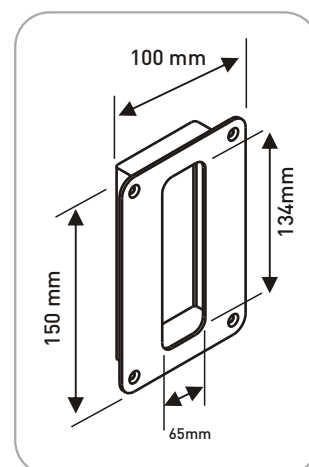
Based around a stainless steel fascia plate with a variety of hand grips.  
 Three standard designs.

Standard Range				
Style	Fascia (mm)	Door Pocket (mm)	Material	Standard Finish
7680 Kidney Slot	152 x 60 x 3	112 x 49	Stainless steel	Satin polished
7685 Narrow Slot	152 x 60 x 3	152 x 6	Stainless Steel 304	Satin polished
7690 Small Kidney Slot	100 x 50 x 3	74 x 36	Stainless Steel 304	Satin polished
Fascia plate optional extras				
7680 Also available with side fixing				
Satin polished 304 grade stainless steel				
Bright polished on 304 grade stainless steel				
Brass or bronze lacquered on polished 304 stainless steel				
Epoxy powder coated on 304 stainless steel				
Stainless steel - 316 marine grade - Extra to 304 prices above				
Ink printed or laser etched standard signage - single side				
Ink printed or laser etched to special design - single side				
Back box optional extras				
Black epoxy powder coat on 304 grade stainless steel				
Coloured powder coat				
Satin polished 304 grade stainless steel				
Bright polished 304 grade stainless steel				
Shot blast finish 304 grade stainless steel				
Stainless steel - 316 marine grade - Extra to 304 prices above				
Depending upon option selected minimum order quantities may apply				

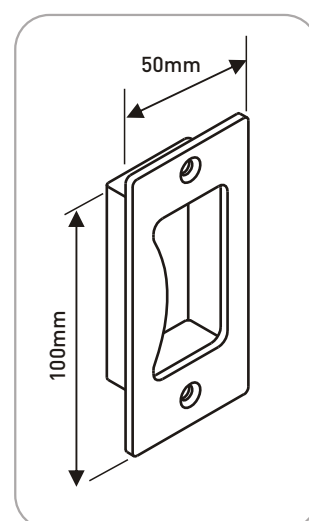
7680 - Kidney Slot



7685 Narrow Slot



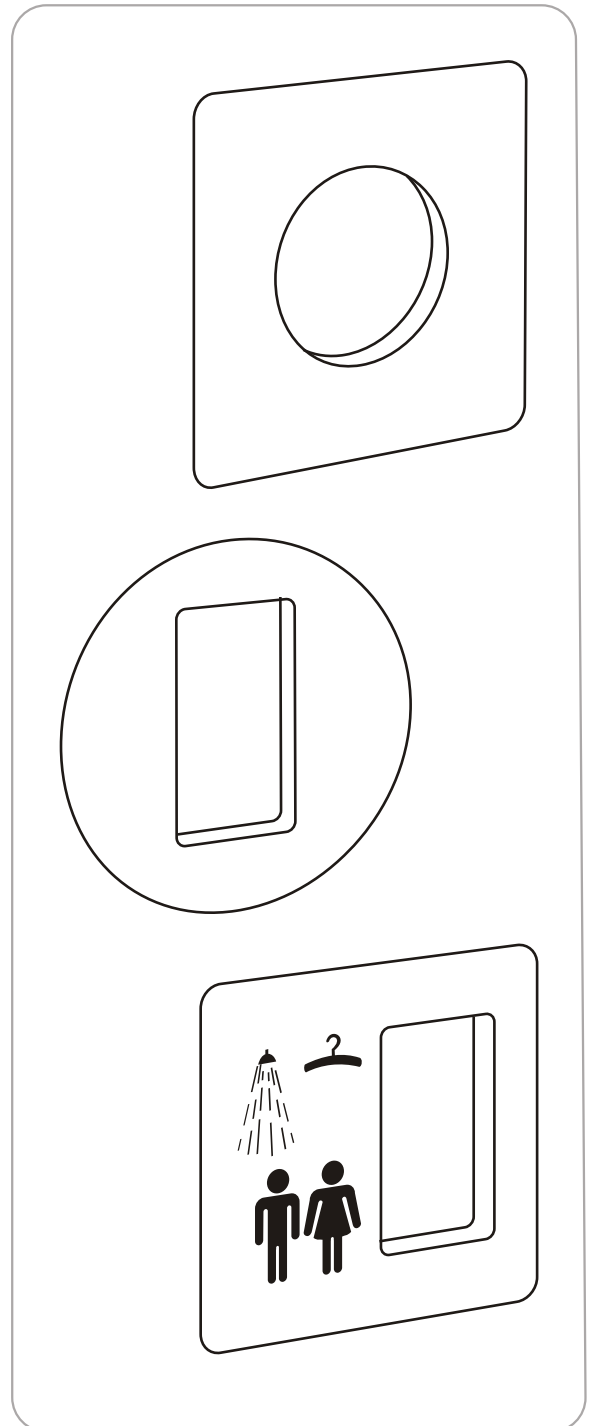
7690 Small Kidney Slot



# Introduction to Standard Range



- In addition to the traditional range of flush pulls available from Cooke Brothers, we have continued to expand and diversify our range of Architectural Hardware by adding new and exciting products
- The follow range of standard flush pulls have been developed particularly for the increasing market for sliding and pocket door systems or where space constraints eliminate the use of traditional lever or pull handles
- Suitable for use on fire doors following successful fire tests to BSEN1634 - Contact sales for further information
- Manufactured in Stainless Steel Grade 304 and available in a range of decorative finishes
- Available with a range of optional extras including matching or contrasting back box finishes and signage options on the nameplate range
- Cooke Brothers utilize the latest laser cutting technology as part of our manufacturing process and therefore has the ability to create unique designs or manufacture specials based upon your own requirements, please contact our sales department for more information





# Standard Range

The Standard range of Inset Handles have the visual simplicity of form follows function.

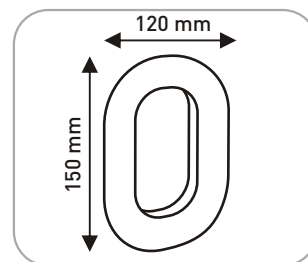
Available as standard in satin polished stainless steel, with options of marine grade and bright polished stainless steel, brass or bronze lacquered, or epoxy powder coated, with stainless steel black powder coated back box.

The Nameplate variant has space left or right of the handle pocket for screen printing pictograms, logotypes or legends. Please ask our design department to create artwork or supply your own.

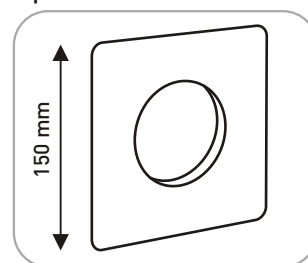
Standard				
Style	Fascia (mm)	Door Pocket (mm)	Material	Standard Finish
Slot	150 x 120 x 3	134 x 85	SS 304	Sat. Pol
Square	150 x 150 x 3	134 x 120	SS 304	Sat. Pol
Square Slot	150 x 150 x 3	134 x 120	SS 304	Sat. Pol
Round	150 x 150 x 3	134 x 85	SS 304	Sat. Pol
Nameplate	150 x 150 x 3	134 x 120	SS 304	Sat. Pol
Fascia plate optional extras				
Bright polished on 304 grade stainless steel				
Brass or bronze lacquered on polished 304 stainless steel				
Epoxy powder coated on 304 grade stainless steel				
Stainless steel - 316 marine grade - Extra to 304 prices above				
Ink printed or laser etched standard signage - single side				
Ink printed or laser etched signage to special design - single side				
Back box optional extras				
Black epoxy powder coat on 304 grade stainless steel				
Coloured powder coat				
Satin polished 304 grade stainless steel				
Bright polished 304 grade stainless steel				
Shot blast finish 304 grade stainless steel				
Stainless steel - 316 marine grade - Extra to 304 prices above				

Depending upon option selected minimum order quantities might apply

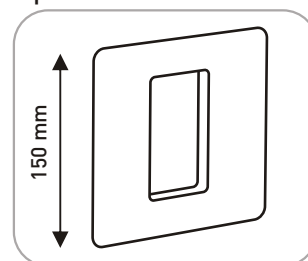
Slot



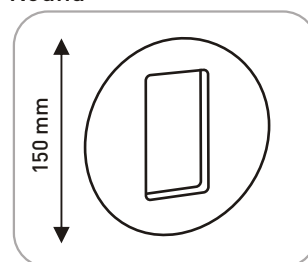
Square



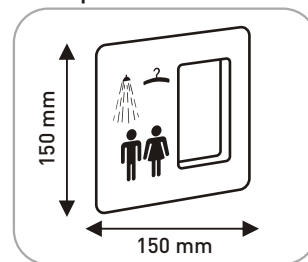
Square Slot



Round



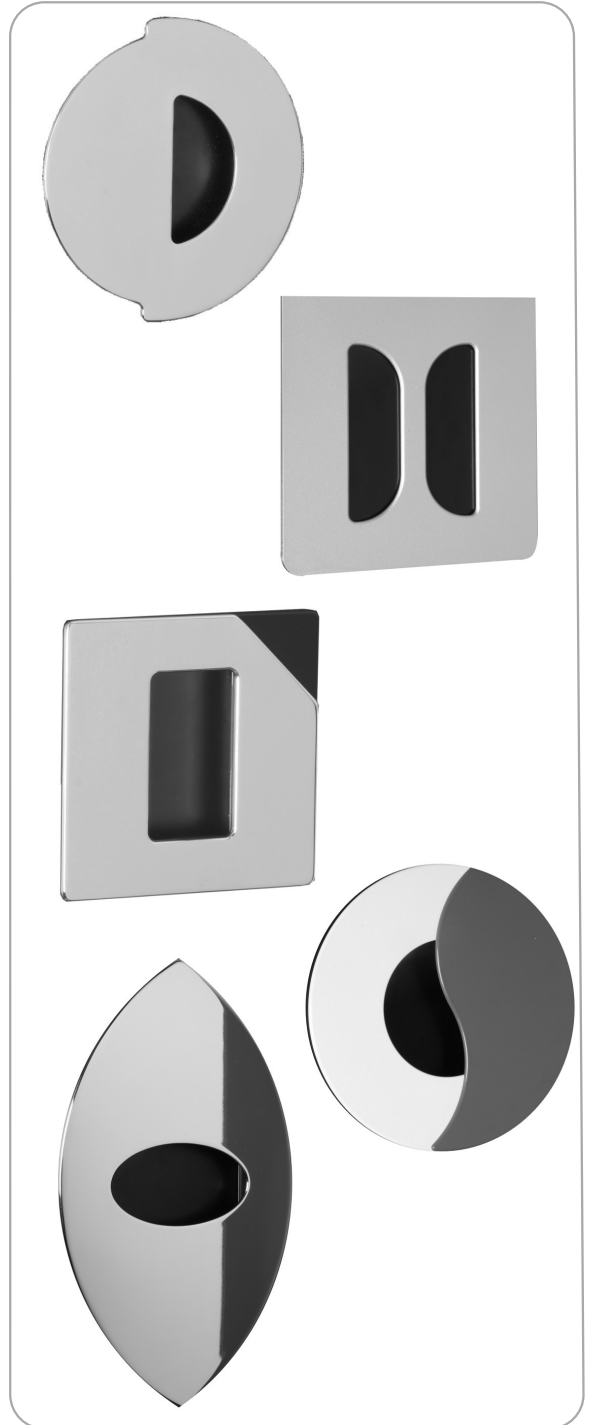
Nameplate



# Introduction to Designer Range



- In continuing Cooke Brothers' desire to produce innovative and contemporary products within the Architectural Hardware market we have commissioned a range of designer inset handles
- Based around existing design styles we have developed five themed ranges including Art Deco, Twin, Edge, Eye and Yin Yang - the following pages highlight the options and sizes available for each range
- Suitable for both internal and external doors they have been designed to provide instant visual impact whilst maintaining an ergonomic solution for access
- Manufactured from Aluminium or Stainless Steel Grade 304 and in a wide range of finish options
- Cooke Brothers utilize the latest laser cutting technology as part of our manufacturing process and therefore has the ability to create unique designs or manufacture specials based upon your own requirements, please contact our sales department for more information





# Designer Range - Twin

Based around a double fascia plate, the cropped upper shape exposing selected elements of the contrastingly finished lower plate.

Supplied as standard as polished stainless steel with black powder coated back box.

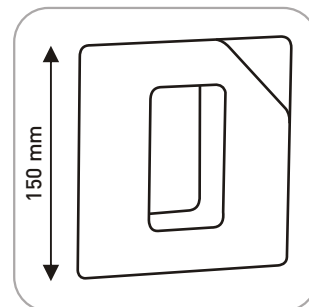
Four standard designs.

Available with complimentary designs of Portholes and door accessories.

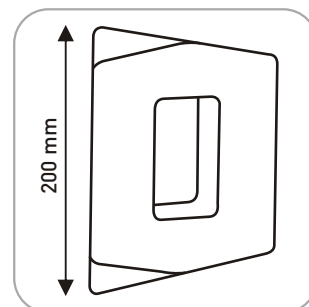
Twin				
Style	Fascia (mm)	Door Pocket (mm)	Material	Standard Finish
Corner	150 x 150 x 3	134 x 120	SS 304	Pol./Black
Delta	200 x 150 x 3	134 x 120	SS 304	Pol./Black
Border	150 x 150 x 3	134 x 120	SS 304	Pol./Black
Ess	150 x 150 x 3	134 x 120	SS 304	Pol./Black
Fascia plate optional extras				
Satin polished on 304 grade stainless steel				
Brass or bronze lacquered on polished 304 stainless steel				
Epoxy powder coated upper fascia on 304 stainless steel				
Coloured powder coat - Lower fascia				
Stainless steel - 316 marine grade - Extra to 304 prices above				
Back box optional extras				
Black epoxy powder coat on 304 grade stainless steel				
Coloured powder coat				
Satin polished 304 grade stainless steel				
Bright polished 304 grade stainless steel				
Shot blast finish 304 grade stainless steel				
Stainless steel - 316 marine grade - Extra to 304 prices above				

Depending upon option selected minimum order quantities might apply

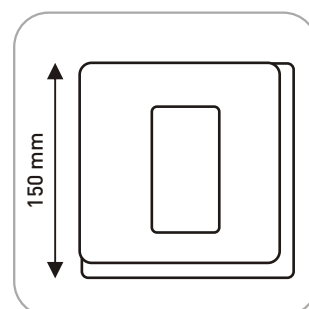
Corner



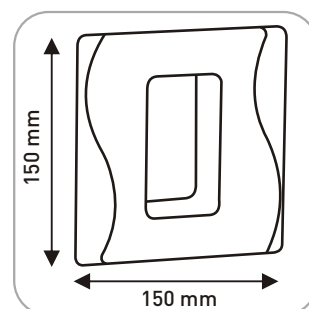
Delta



Border



Ess





# Designer Range - Yin Yang

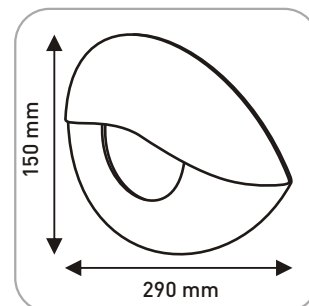
Based on the Chinese philosophy of contrasting energies of Yin and Yang.

Supplied as standard as stainless steel powder coated in contrasting colours: red / white, black / white with black powder coated back box.

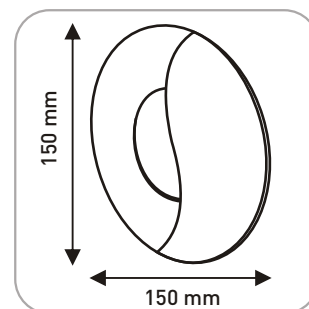
Four standard designs.

Available with complimentary designs of Portholes and door accessories.

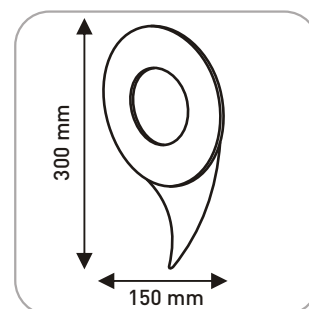
Horizontal Wave



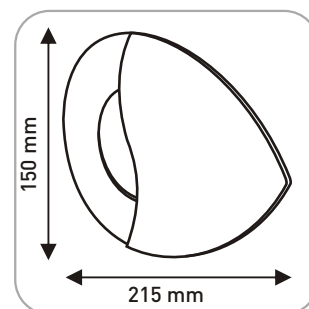
Round



Comma



Vertical Wave



Yin Yang				
Style	Fascia (mm)	Door Pocket (mm)	Material	Standard Finish
Horizontal Wave	150 x 290 x 3	134 x 120	SS 304	Red / White
Round	150 x 150 x 3	134 x 120	SS 304	Red / White
Comma	300 x 150 x 3	134 x 120	SS 304	Red / White
Vertical Wave	150 x 215 x 3	134 x 120	SS 304	Red / White
Fascia plate optional extras				
Coloured powder coat - Upper fascia				
Coloured powder coat - Lower fascia				
Stainless steel - 316 marine grade - Extra to 304 prices above				
Back box optional extras				
Black epoxy powder coat on 304 grade stainless steel				
Coloured powder coat				
Satin polished 304 grade stainless steel				
Bright polished 304 grade stainless steel				
Shot blast finish 304 grade stainless steel				
Stainless steel - 316 marine grade - Extra to 304 prices above				

Depending upon option selected minimum order quantities might apply





# Designer Range - Art Deco

Based on styles from the 1920's Art Deco period whilst attaining a very modern appeal.

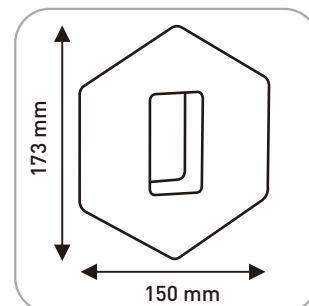
Supplied as standard as polished stainless steel with black powder coated back box.

Four standard designs.

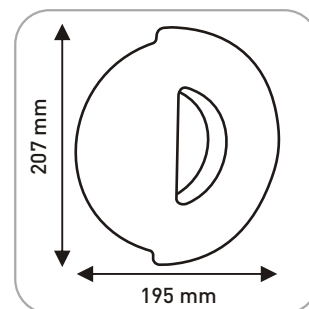
Art Deco				
Style	Fascia (mm)	Door Pocket (mm)	Material	Standard Finish
Hexagonal	173 x 150 x 3	134 x 120	SS 304	Polished
Round	207 x 195 x 3	134 x 120	SS 304	Polished
Square	170 x 150 x 3	134 x 120	SS 304	Polished
Fan	200 x 150 x 3	134 x 120	SS 304	Polished
Fascia plate optional extras				
Satin polished on 304 grade stainless steel				
Brass or bronze lacquered on polished 304 stainless steel				
Epoxy powder coated on 304 stainless steel				
Stainless steel - 316 marine grade - Extra to 304 prices above				
Back box optional extras				
Black epoxy powder coat on 304 grade stainless steel				
Coloured powder coat				
Satin polished 304 grade stainless steel				
Bright polished 304 grade stainless steel				
Shot blast finish 304 grade stainless steel				
Stainless steel - 316 marine grade - Extra to 304 prices above				

Depending upon option selected minimum order quantities might apply

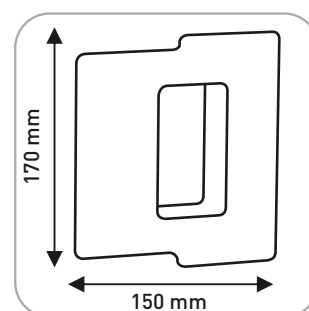
Hexagonal



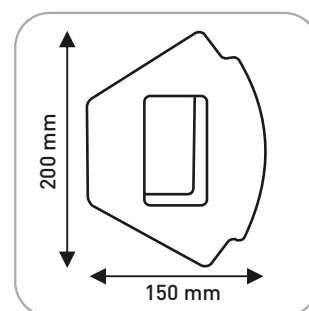
Round



Square



Fan





# Designer Range - Eye

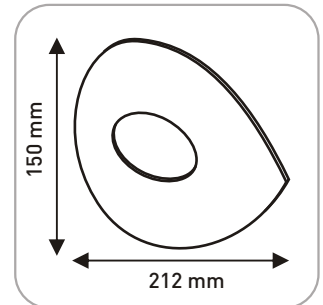
An attention grabbing design that focuses your eye straight to this attractive Inset Handle.

Supplied as standard as lacquered brass finish on polished stainless steel with black powder coated back box.

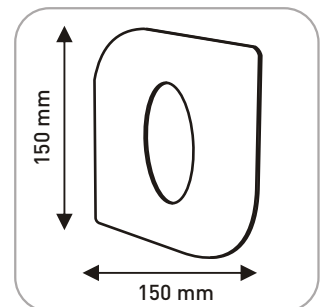
Four standard designs.

Available with complimentary designs of Portholes and door accessories.

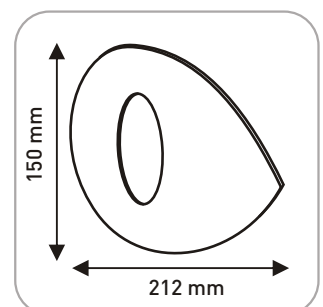
Horizontal Tear Drop



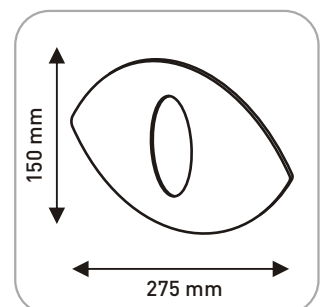
Square



Vertical Tear Drop



Lozenge



Eye				
Style	Fascia (mm)	Door Pocket (mm)	Material	Standard Finish
Horizontal Tear Drop	150 x 212 x 3	134 x 120	SS 304	Pol. & Brass Lac
Square	150 x 150 x 3	134 x 120	SS 304	Pol. & Brass Lac
Vertical Tear Drop	150 x 212 x 3	134 x 120	SS 304	Pol. & Brass Lac
Lozenge	150 x 275 x 3	134 x 120	SS 304	Pol. & Brass Lac
Fascia plate optional extras				
Satin polished on 304 grade stainless steel				
Bright polished on 304 grade stainless steel				
Epoxy powder coated on 304 stainless steel				
Stainless steel - 316 marine grade - Extra to 304 prices above				
Back box optional extras				
Black epoxy powder coat on 304 grade stainless steel				
Coloured powder coat				
Satin polished 304 grade stainless steel				
Bright polished 304 grade stainless steel				
Shot blast finish 304 grade stainless steel				
Stainless steel - 316 marine grade - Extra to 304 prices above				

Depending upon option selected minimum order quantities might apply



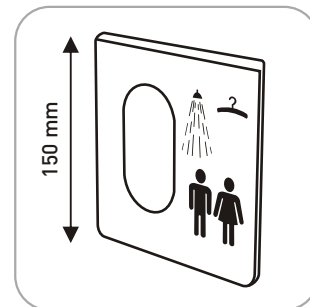
# Designer Range - Edge

Based around a single fascia plate with a variety of oblong hand grips.

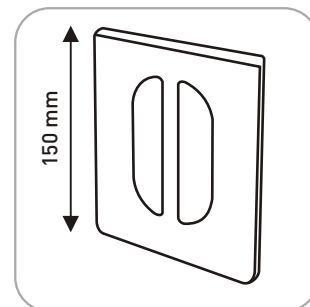
Supplied as standard as anodised aluminium with black powder coated back box.

Four standard designs.

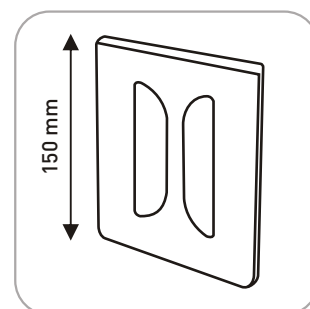
Nameplate



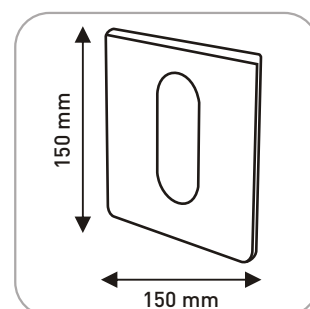
CD



DC



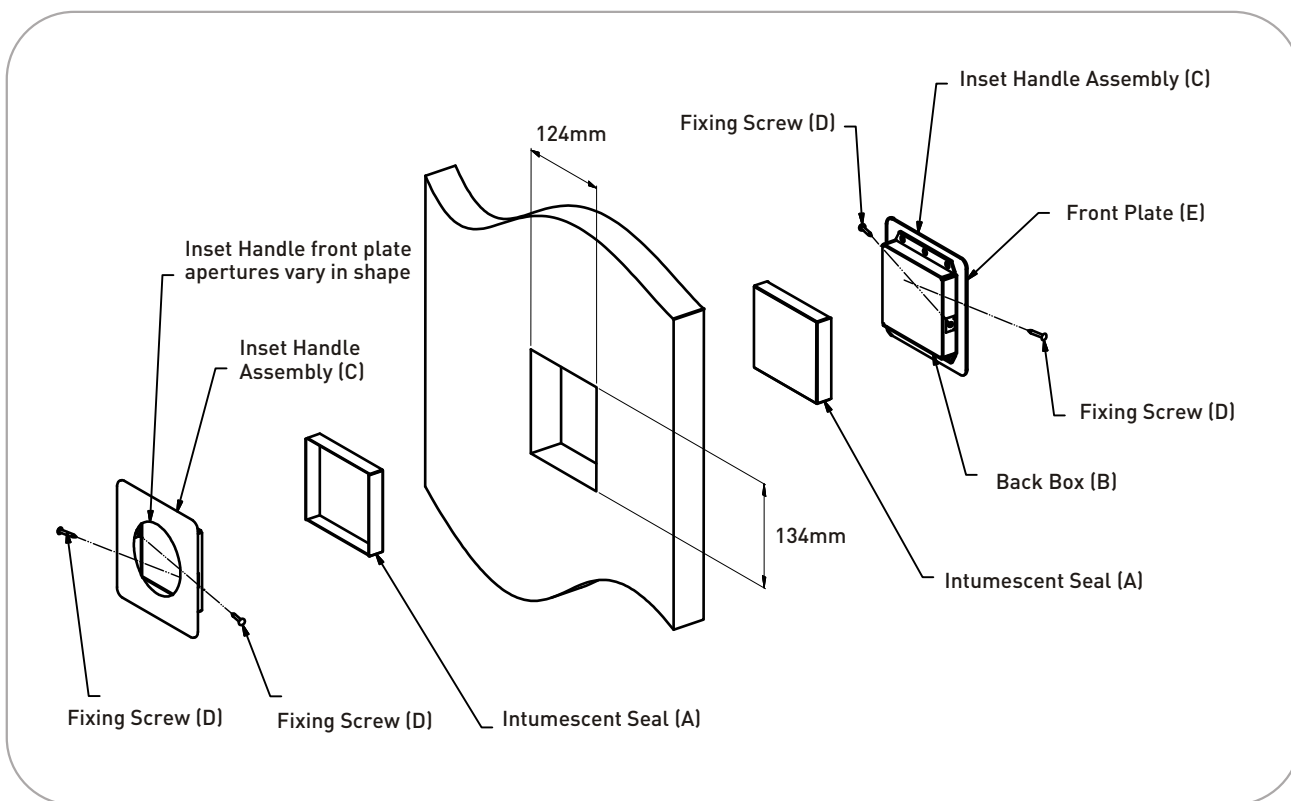
Slot



Edge				
Style	Fascia (mm)	Door Pocket (mm)	Material	Standard Finish
Nameplate	150 x 150 x 4	134 x 120	Aluminium	Satin anodised
CD	150 x 150 x 4	134 x 120	Aluminium	Satin anodised
DC	150 x 150 x 4	134 x 120	Aluminium	Satin anodised
Slot	150 x 150 x 4	134 x 120	Aluminium	Satin anodised
Fascia plate optional extras				
Colour anodised on aluminium				
Satin polished 304 grade stainless steel				
Bright polished on 304 grade stainless steel				
Brass or bronze lacquered on polished 304 stainless steel				
Epoxy powder coated on 304 stainless steel				
Stainless steel - 316 marine grade - Extra to 304 prices above				
Ink printed or laser etched standard signage - single side				
Ink printed or laser etched to special design - single side				
Back box optional extras				
Black epoxy powder coat on 304 grade stainless steel				
Coloured powder coat				
Satin polished 304 grade stainless steel				
Bright polished 304 grade stainless steel				
Shot blast finish 304 grade stainless steel				
Stainless steel - 316 marine grade - Extra to 304 prices above				

Depending upon option selected minimum order quantities might apply

## Fitting Instructions



### Fixing instructions for Inset Handles (Back to Back) Large Back Box

1. Cut the aperture in the door in the required position.
2. Raise the sides of the intumescent seals (A) along the scored lines.
3. Place around the Back box (B) of the Inset Handle assembly (C) and insert the complete assembly into the aperture of the door.
4. Ensure the edge of the front plate (E) of the Inset Handle is parallel to the door edge (for shaped front plates measuring from the centre of the front plate will apply). Fix the Inset Handle to the door using the wood screws (D) provided, piercing the intumescent strip with the fixing screws.
5. Repeat instruction 1-5 for fitting the Inset Handle to the opposite face of the door.