



Vision Panels

Technical Specification - Issue 1

Phoenix is the brand for Cooke Brothers, which includes a comprehensive range of Hinges and innovative Architectural Door Products.

The Phoenix range of high quality door vision panels provide an excellent solution to both meeting visibility requirements and providing a smart, aesthetically pleasing appearance.

Often referred to as portholes because of their naval origins, Phoenix vision panels are available in a wide range of options: Circular, Square, Rectangular, Oblong, as well as decorative fascias to suite with our exciting range of Inset Handles.

Our vision panels are supplied as a complete modular unit ready for direct installation in to your pre-cut door blank. They can be fitted as either new build or retrofit in to existing door blanks, subject always to continuing to correctly meeting the fire rating of the individual doorset.

Manufactured in steel or stainless steel, Phoenix Vision panels can be finished to enhance the appearance of any timber, composite, or metal door system. Designed for use on both non fire rated doors and to comply with BS EN 1634 for an increasingly expanding range of fire door options.



Vision Panel - General Information



Door types

Phoenix Vision Panels are suitable for all types of door construction: Timber, Composite, UPVC, and Metal.

Vision panel dimensions

There are three sets of dimensions: The vision area, The door cut out, and the overall vision panel fascia dimensions.

Door cut out dimensions

Fire doors are rated as to the maximum permissible area that can be cut out for vision panels whilst still complying with the fire rating of the door blank. This will also show the location of the area within which the vision panel cut out must be confined. It is important to make sure that the total cut out area falls within the maximum area that can be removed from the door. The external dimensions of the fascia are not important from the fire rating perspective, but it is important to ensure that there is a sufficient flat area of the door for the whole of the fascia.

Vision areas

To comply with Access for All guidelines, vision panels should cover both the lower, as well as the upper, part of the door, as shown in the drawing. Meeting this requirement can be resolved through either a single long rectangular or oblong vision panel, or by fitting multiple vision panels.

Fixing methods

All Phoenix vision panels are designed to fix to their corresponding half on the other side of the door. This not only aids installation but also ensures that in the event of a fire the vision panel will remain in place for in excess of the requisite fire rated period. Fixing options: Visible studs on both sides, Visible studs on one side only, Countersunk fasteners within the angled rim of one or both sides of the vision panel.

Fire rated vision panels

Phoenix vision panels are being tested for an increasing range of door types, vision panel sizes, and fire rated periods. These tests are certificated to BS EN 1634.

Fire rated vision panels are supplied with corresponding intumescent seals, glazing, and installation instructions.

Solid or hollow doors

The above fixing system allows the Phoenix vision panels to be fitted to either solid or hollow core doors. Where the door structure is inadequate to ensure the rigidity of the door when clamping the vision panel in place, or to retain the fire intumescence material, additional liners can be quoted for.

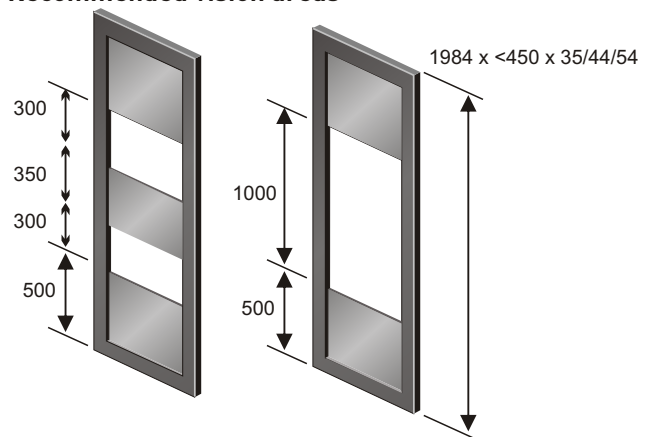
Door thicknesses

The majority of vision panels are fitted to standard 44mm and 54mm door thicknesses. Phoenix vision panels are designed to cover a small variation in door thickness from the nominal sizes, but specifying the exact thickness of the doors will assist in ensuring the system supplied will match your doorsets.

Glazing systems

Phoenix vision panels have been rated for a wide range of different glazing systems.

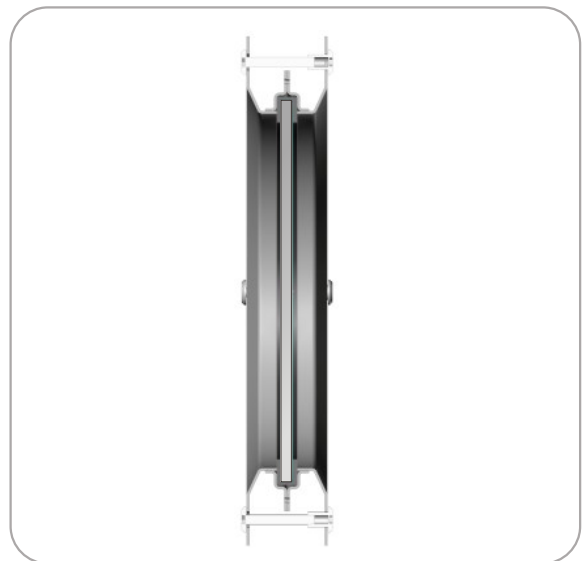
Recommended vision areas



Circular Vision Panels



Circular Vision Panels					
Dimensions					
Visible panel		Door Pocket		Overall Fascia	
Dims mm	Area sq. m	Dims mm	Area sq. m	Dims mm	Area sq. m
100 dia	0.01	164 dia	0.02	220 dia	0.04
200 dia	0.03	264 dia	0.05	320 dia	0.08
300 dia	0.07	364 dia	0.10	420 dia	0.14
450 dia	0.16	514 dia	0.21	570 dia	0.26
Materials and Finishes					
Mild steel	Self colour - Unplated, lightly oiled				
	Zinc plated - Clear or colour passivated				
	Powder coated - White or colours				
	Other finishes - see stainless steel options				
Stainless steel grade 304	Self colour - Unpolished				
	Satin polished				
	Bright polished				
	Brass or coloured lacquers				
	Powder coated				
Fire rating - Check availability					
Not required					
Half hour timber					
One hour timber					
Other requirements					
Glazing system - Check availability					
Clear, toughened, non fire rated					
Clear half hour fire rated					
Clear or cast Georgian wire half hour fire rated					
Clear one hour fire rated					
Clear or cast Georgian wire one hour fire rated					
Other - Specify					

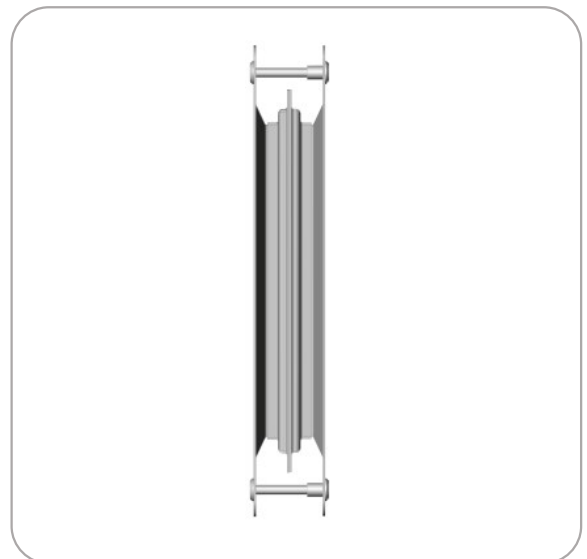
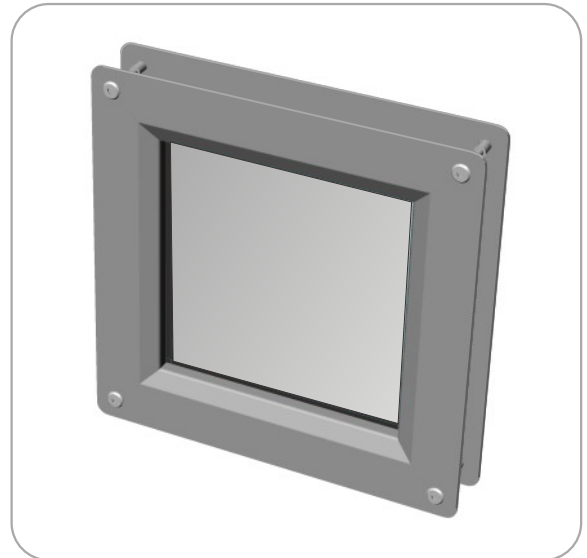


The above is an approximate guide to the options available.
 Please contact our technical sales to agree a complete specification.

Square Vision Panels



Square Vision Panels					
Dimensions					
Visible panel		Door Pocket		Overall Fascia	
Dims mm	Area sq. m	Dims mm	Area sq. m	Dims mm	Area sq. m
100 x 100	0.01	164 x 164	0.03	220x220	0.05
200 x 200	0.04	264 x 264	0.07	320x320	0.10
300 x 300	0.06	364 x 364	0.13	420x420	0.18
450 x 450	0.20	514 x 514	0.26	570x570	0.33
600 x 600	0.36	664 x 664	0.44	720x720	0.55
Materials and Finishes					
Mild steel	Self colour - Unplated, lightly oiled				
	Zinc plated - Clear or colour passivated				
	Powder coated - White or colours				
	Other finishes - see stainless steel options				
Stainless steel grade 304	Self colour - Unpolished				
	Satin polished				
	Bright polished				
	Brass or coloured lacquers				
	Powder coated				
Fire rating - Check availability					
Not required					
Half hour timber					
One hour timber					
Other requirements					
Glazing system - Check availability					
Clear, toughened, non fire rated					
Clear half hour fire rated					
Clear or cast Georgian wire half hour fire rated					
Clear one hour fire rated					
Clear or cast Georgian wire one hour fire rated					
Other - Specify					



The above is an approximate guide to the options available.
 Please contact our technical sales to agree a complete specification.

Rectangular Vision Panels



Rectangular Vision Panel

Dimensions					
Visible panel		Door Pocket		Overall Fascia	
Dims mm	Area sq. m	Dims mm	Area sq. m	Dims mm	Area sq. m
100 x 400	0.04	164 x 464	0.07	220 x 520	0.12
100 x 600	0.06	164 x 664	0.11	220 x 720	0.16
100 x 1200	0.12	164 x 1264	0.20	220 x 1320	0.29
100 x 1500	0.15	164 x 1564	0.25	220 x 1620	0.36
200 x 400	0.04	264 x 464	0.12	320 x 520	0.17
200 x 600	0.12	264 x 664	0.17	320 x 720	0.23
200 x 1200	0.24	264 x 1264	0.33	320 x 1320	0.42
200 x 1500	0.34	264 x 1564	0.41	320 x 1620	0.52
300 x 600	0.18	364 x 664	0.24	420 x 720	0.30
450 x 600	0.27	514 x 664	0.34	570 x 720	0.41

Materials and Finishes

Mild Steel	Self colour - Unplated, lightly oiled
	Zinc plated - Clear or colour passivated
	Powder coated - White or colours
	Other finishes - see stainless steel options

Stainless steel grade 304	Self colour - Unpolished
	Satin polished
	Bright polished
	Brass or coloured lacquers
	Powder coated

Fire rating - Check availability

Not required
Half hour timber
One hour timber
Other requirements

Glazing system - Check availability

Clear, toughened, non fire rated
Clear half hour fire rated
Clear or cast Georgian wire half hour fire rated
Clear one hour fire rated
Clear or cast Georgian wire one hour fire rated
Other - Specify



The above is an approximate guide to the options available. Please contact our technical sales to agree a complete specification.

Oblong Vision Panels



Rectangular Vision Panel					
Dimensions					
Visible panel		Door Pocket		Overall Fascia	
Dims mm	Area sq. m	Dims mm	Area sq. m	Dims mm	Area sq. m
100 x 400	0.04	164 x 464	0.07	220 x 520	0.12
100 x 600	0.06	164 x 664	0.11	220 x 720	0.16
100 x 1200	0.12	164 x 1264	0.20	220 x 1320	0.29
100 x 1500	0.15	164 x 1564	0.25	220 x 1620	0.36
200 x 400	0.04	264 x 464	0.12	320 x 520	0.17
200 x 600	0.12	264 x 664	0.17	320 x 720	0.23
200 x 1200	0.24	264 x 1264	0.33	320 x 1320	0.42
200 x 1500	0.34	264 x 1564	0.41	320 x 1620	0.52
300 x 600	0.18	364 x 664	0.24	420 x 720	0.30
450 x 600	0.27	514 x 664	0.34	570 x 720	0.41
Materials and Finishes					
Mild Steel		Self colour - Unplated, lightly oiled			
		Zinc plated - Clear or colour passivated			
		Powder coated - White or colours			
		Other finishes - see stainless steel options			
Stainless steel grade 304		Self colour - Unpolished			
		Satin polished			
		Bright polished			
		Brass or coloured lacquers			
		Powder coated			
Fire rating - Check availability					
		Not required			
		Half hour timber			
		One hour timber			
		Other requirements			
Glazing system - Check availability					
		Clear, toughened, non fire rated			
		Clear half hour fire rated			
		Clear or cast Georgian wire half hour fire rated			
		Clear one hour fire rated			
		Clear or cast Georgian wire one hour fire rated			
		Other - Specify			



The above is an approximate guide to the options available. Please contact our technical sales to agree a complete specification.

Designer Vision Panels

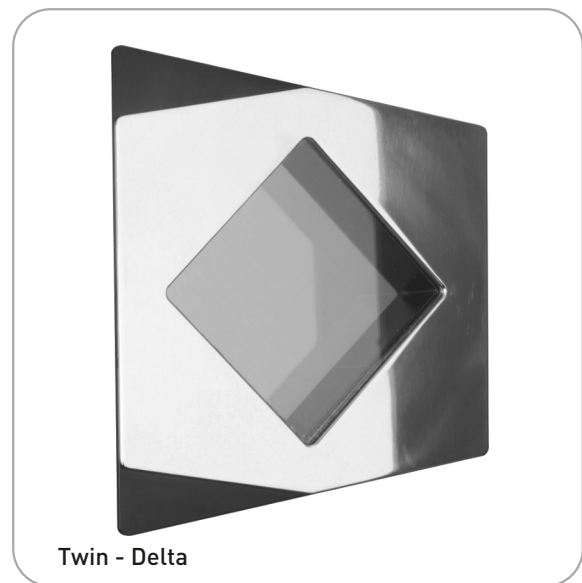
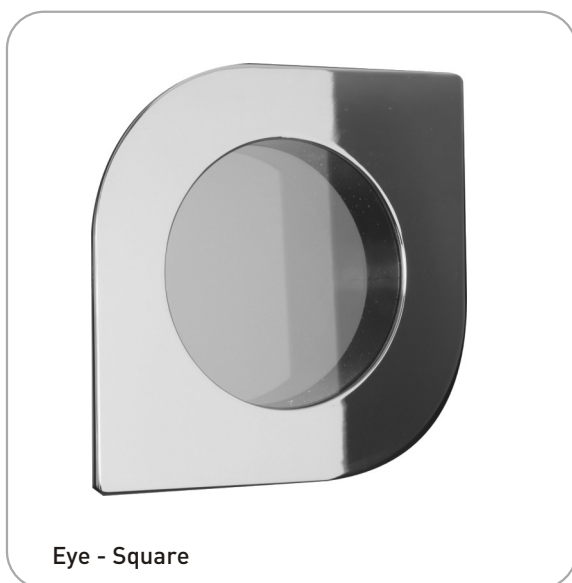


Cooke brothers manufacture a designer range of vision panels in a number of finishes to suit client interior and architectural schemes.

Designed to suite perfectly with the Inset Handle ranges, the Designer Porthole option offers the same iconic features of high quality and innovative styling.

Designers and architects can also request bespoke fascia plates to suite with other design features or tie in with other architectural ironmongery.

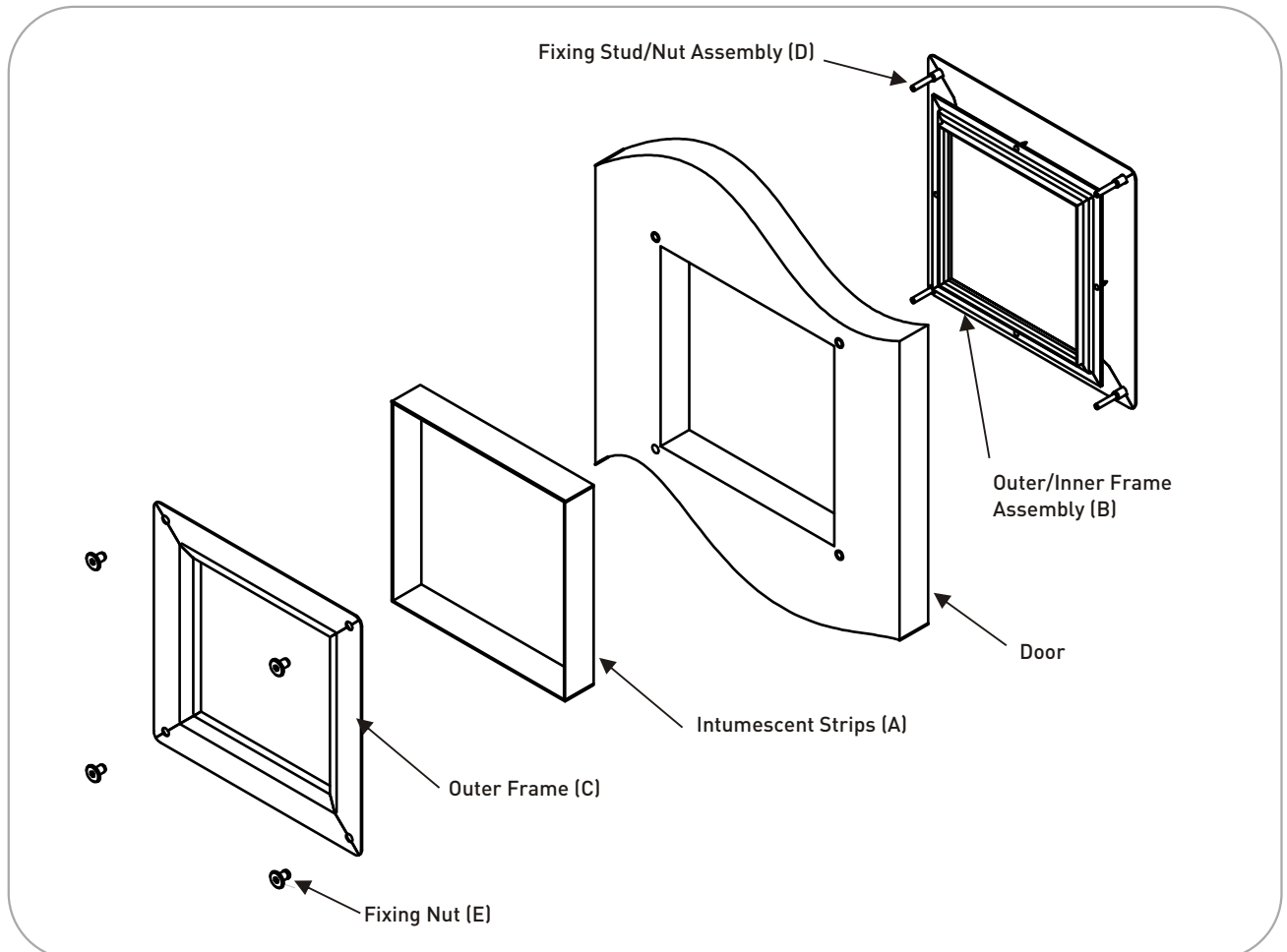
- Solid stainless steel fascia panels
- Choice of powder coated finishes
- Fire and non fire rated options



Please contact our technical sales to agree a complete specification

Fitting Instructions

Example of fitting instructions for square vision panel through fasteners and visible fixing studs on both sides.



1. Cut the aperture in the door in the required position (Check with Approved Document M - Building Regulations Access to and use of buildings), for the correct position.
2. Remove backing paper from the Intumescent Strips (A) and position the intumescent strips around the inside of the aperture.
3. Position the outer/inner frame assembly (B) into the aperture, ensuring it is parallel to the edge of the door and mark through the fixing holes.
4. Drill the fixing holes with 10mm diameter bores, ensuring they are square to the face of the door.
5. Position the outer/inner frame assembly (B) and the outer frame assembly (C) into the aperture, pass the fixing stud nut assembly (D) through the fixing holes, then fit nut (E) on the opposite side.
6. Ensure both frame assemblies are parallel to the edge of the door and tighten the fixing assemblies using the key provided ensuring the complete assembly is firmly fixed in place.