

Door Pivot Set

Technical Specification - Issue 1

Phoenix is the brand for Cooke Brothers, which includes a comprehensive range of Hinges and innovative Architectural Door Products.

The latest range of Phoenix Pivot Sets provides a truly unobtrusive and service free door hinge system that allows doors to swing in either direction. The pivots are designed for medium duty internal applications for door widths up to 1100mm and weights up to 80kg when floor mounted and up to 30kg when jamb mounted.

The main pivot hinge components are manufactured from 304 grade stainless steel with self lubricating polymer bush bearings, which provide a maintenance free operation, guaranteed for 25 years.

A 9mm radius is recommended on the pivot door edges for 44mm thick doors and a 12mm radius is required on 54mm thick doors.

The set includes bottom pivot assembly, top pivot assembly and mounting brackets. The standard finish is satin stainless steel





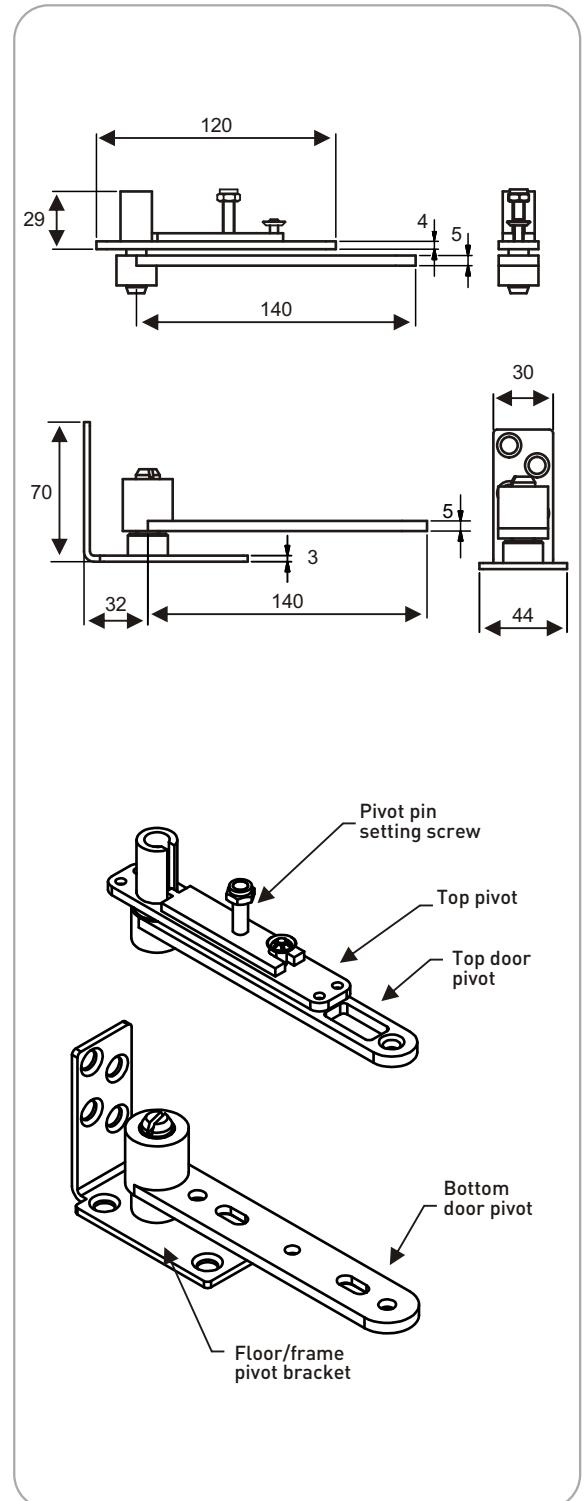
Door Pivot Sets

Phoenix door pivot sets represent a well recognised alternative to the use of single axis butt and continuous hinges for doors.

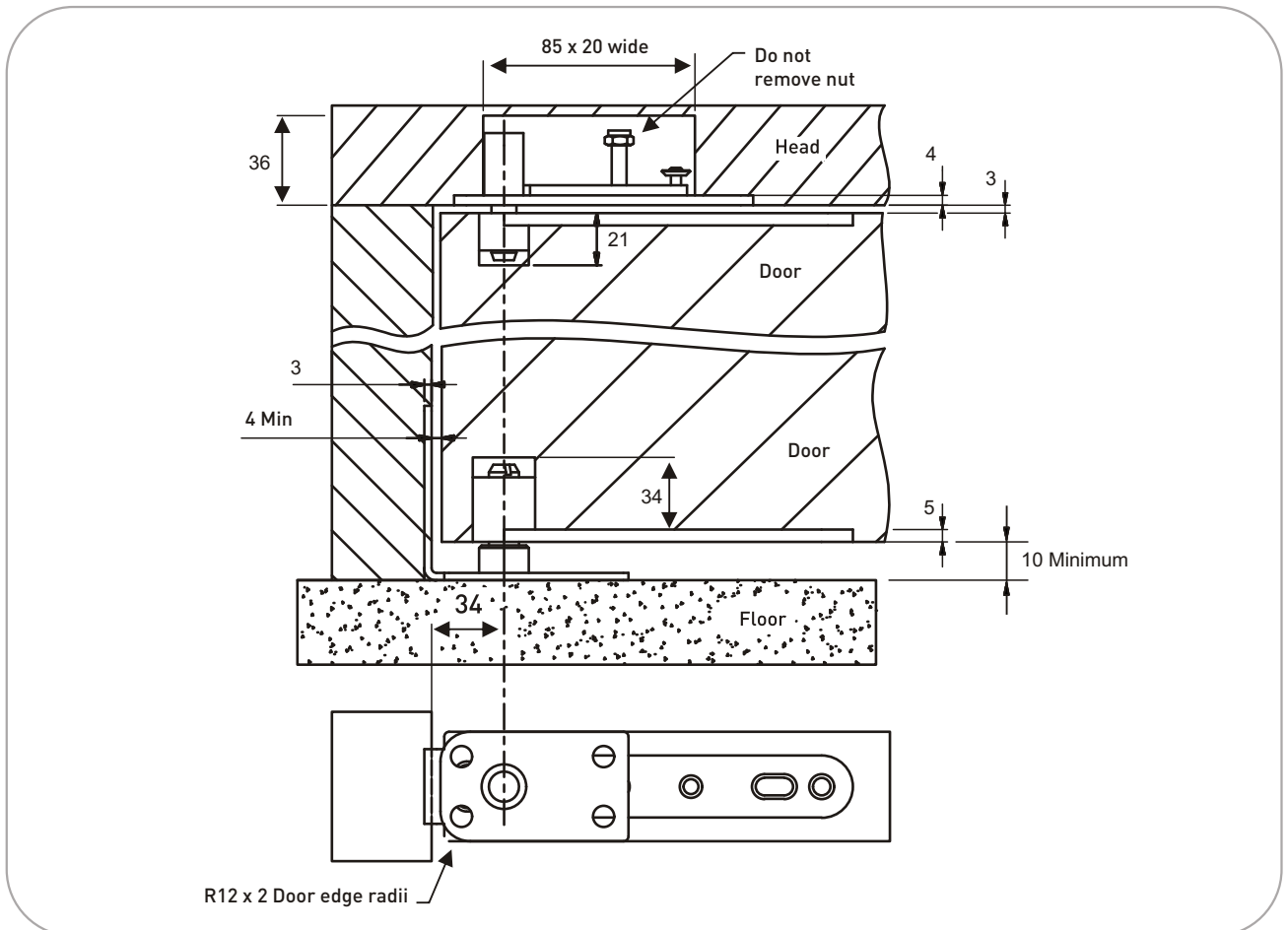
Designed to provide opening in either direction, the system can be used on its own to give the user the preferable option of pushing the door away from them when entering or leaving an area. Alternatively Phoenix door pivots can be used in conjunction with a lockable stop or lockable hinged door jamb to provide standard access in one direction only, with optional emergency access in the other.

Suitable for use on 44 and 54mm thickness doors.

Standard			
Hinge description	Hinge Width (mm)	Hinge Length (mm)	Leaf Thickness (mm)
Top pivot	20	140	5
Bottom pivot and floor bracket	44	140	5
Materials			
Stainless steel grade 304			
Finishes			
Satin Polish (SSS)			



Fitting Instructions



1. Determine the position of the Pivot centre line in the door (top and bottom). Maintaining the 4mm minimum dimension between door and frame. Ensure pivots are in line. Fit the top and bottom door pivots in the door.
2. Fit the top pivot into the head of the door frame, positioned to give the 4mm minimum dimension between the door and frame. Ensure top pivot moves freely after fitting.
3. Fit the bottom pivot bracket to the door frame and door.
4. Fit the door by lowering the door onto the bottom pivot. Position the top of the door so that the top pivot pin locates into the top door pivot, (the door needs to be in the open position). Turn the pivot pin setting screw in a clockwise direction to lower the pivot pin into the top door pivot. Tighten the pivot pin setting screw.
5. Adjustment is provided in the Bottom Pivot bracket to adjust the height of the door if required. The door has to be removed to be able to adjust the bottom pivot pin height. If adjusting be sure to tighten the lock nut after adjustment.



Technical Sales: Phone: 01922 740011 Fax: 01922 740003 ©2011 Cooke Brothers Ltd.
Email: sales@cookebrothers.co.uk www.cookebrothers.co.uk