

Cover Plate Hinges

Technical Specification - Issue 1

Phoenix is the brand for Cooke Brothers, which includes a comprehensive range of Hinges and innovative Architectural Door Products.

Cover Plates are designed to suit the 7700 series of 304 and 316 grade stainless steel, fully concealed bearing, high performance range of hinges.

The secure, clip over, stainless steel cover plate has been specifically designed to improve the overall aesthetical appearance of the doorset, whilst acting as an effective barrier against the potential build up of dust and dirt around visible screw heads.

In addition to providing an effective concealment of unsightly fixings, the plain uninterrupted surface of the cover plate provides the ideal opportunity to incorporate corporate branding, company logos or themed designs.

As part of the 7700 series specification, the cover plate option is CE marked and fully certified to BS EN 1935 Grade 14. The cover plate range is available in a choice of finishes and in three popular sizes 102 x 76mm, 102 x 89mm and 102 x 102mm

7700 series high specification hinges provide maintenance free performance backed by the company's twenty-five year guarantee.





Cover Plate - Butt Hinges 7700 Range

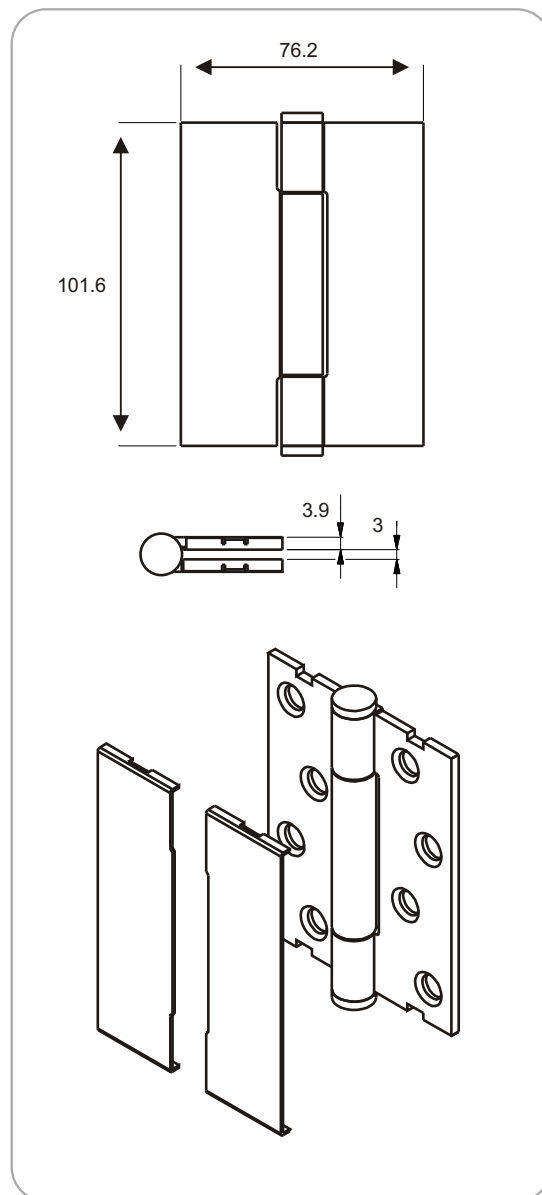
Cooke Brothers range of unique clip on cover plate hinges have been designed to offer a minimalistic and aesthetic appearance, whilst maintaining all the benefits of our ever popular Concealed Bearing hinge range

Designed with practicality in mind, the clip-on cover plates are easily removable, yet provide a secure fit when in place

Cover Plates offer the designer or architect the chance to provide a fixing free appearance, or alternatively let their imagination run wild with unique designs laser etched onto the face of the cover plates - contact sales for further information

Cooke Brothers range of Concealed Bearing Cover Plate Hinges have been tested to BSEN1935 Grade 14, are CE marked and CERTIFIRE approved

Standard			
Hinge Code	Hinge Length (mm)	Hinge Width (mm)	Leaf Thickness (mm)
7730BCBP	101.6	76.2	3.0
7735BCBP	101.6	89.0	3.0
7740BCBP	101.6	101.6	3.0
Materials			
Stainless steel grade 304			
Stainless steel grade 316			
Finishes			
Satin polished (SSS)			
Bright polished (PSS)			
Other finishes to order			





Cover Plate Butt Hinges 7790

Manufactured to offer the designer or Architect even more choice, the 7790 series of clip-on cover plate extended hinges offer a unique option where design and appearance are as important as hinge function

Available in a range of 5 different hinge lengths from 100mm up to 200mm long and with a unique full radii, the striking design offers something different to the norm

Designed with practicality in mind, the clip on cover plates are easily removable, yet provide a secure fit when in place

The 7790 extended hinge range is based upon the successful Concealed Bearing Hinge Range

Standard

Hinge Code	Hinge Length (mm)	Hinge Width (mm)	Leaf Thickness (mm)
7790	101.6	76.2	3
7791	115	76.2	3
7792	125	76.2	3
7793	150	76.2	3
7794	200	76.2	3

Materials

Stainless steel grade 304

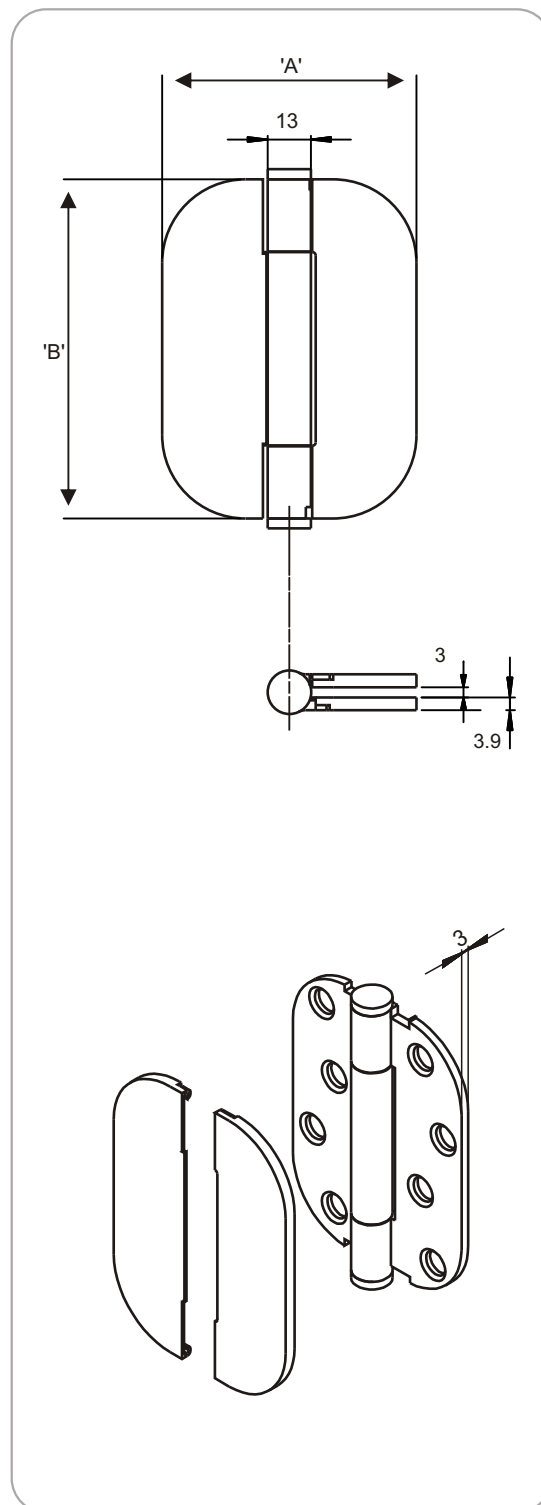
Stainless steel grade 316

Finishes

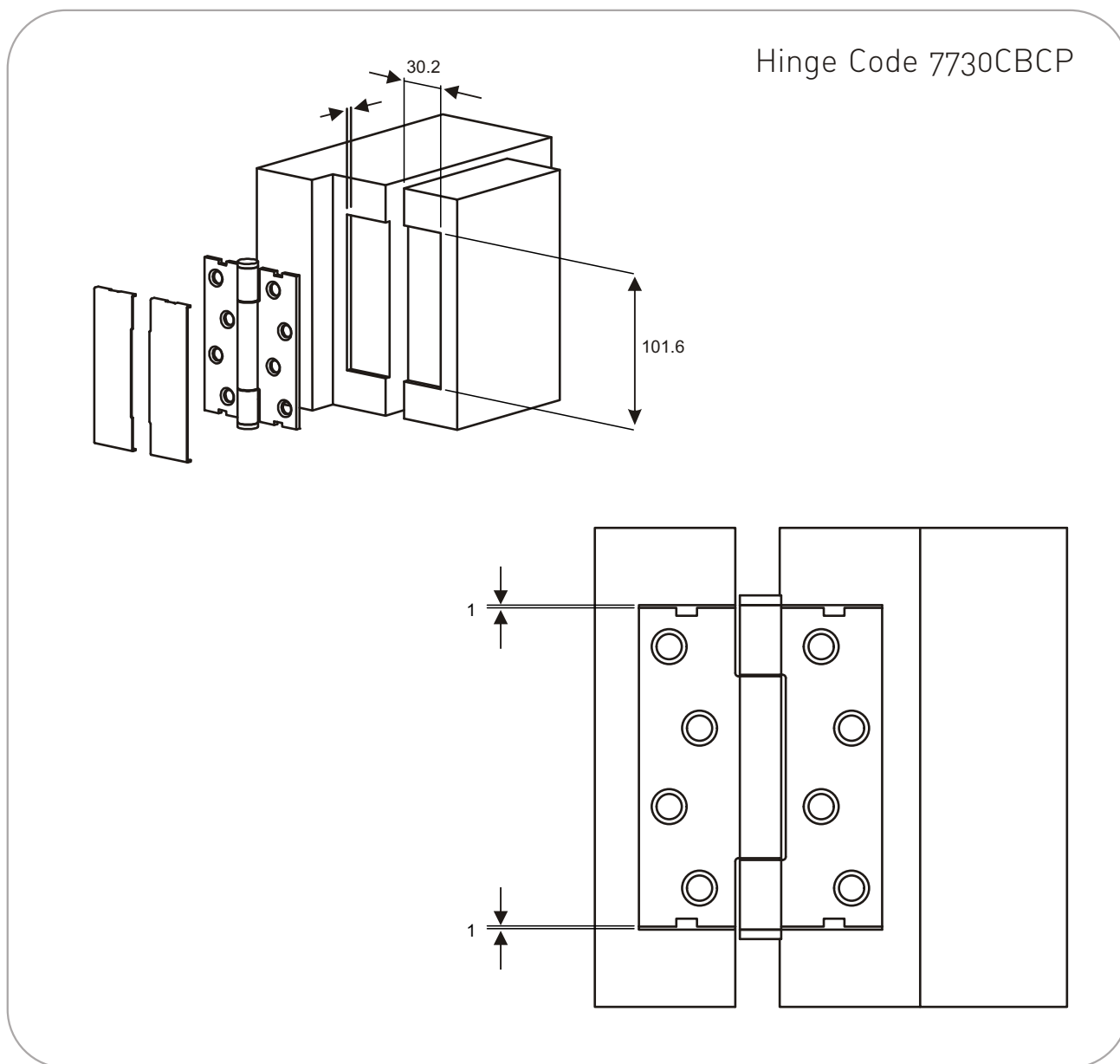
Satin polished (SSS)

Bright polished (PSS)

Other finishes to order



Fitting Instructions



1. Mark out and cut the rebates for the hinges in the door and frame, as the dimensions shown.
2. Position the hinge in the rebate ensuring the 1mm gap, top and bottom, is maintained.
3. Fit the hinges using the screws provided.
4. Fit the cover plates over the hinge halves, pushing at the top and bottom of the cover plate.