

Architectural Letterplates

Technical Specification - Issue 1

Phoenix is the brand for Cooke Brothers, which includes a comprehensive range of Hinges and innovative Architectural Door Products.

Commercial letterplates form an important and popular addition to the comprehensive range of architectural products available from Cooke Brothers.

Designed to suit applications where the standard flap size of a domestic letterplate is not sufficient to accept large envelopes or bulky mail, the larger apertures available in the Phoenix commercial size letterplates can comfortably accommodate deliveries of both size and volume.

Suitable for either direct door fixing or wall mounted as part of a through the wall chute system, the Phoenix range of high quality commercial letterplates and matching tidy flaps offers a durable and stylish focal point to any retail, office or public sector entrance.

To create added impact there is the option to include engraved external flaps with either a property number or a company name.





Architectural Letterplates

- Standard Range of Architectural letter plates and tidies, designed to provide a practical solution for commercial and domestic situations where bulky mail items can be an issue.
- Manufactured from both grade 304 and grade 316 stainless steel, they are suitable for use on external applications including coastal applications.
- Fully stainless steel construction including all spring mechanisms - this offers a major advantage over many standard letter plate designs which incorporate a mild steel spring.
- Fully secured design with internal bolt through fixings included.
- Standard range of sizes available from stock - other sizes available to special order.
- Bespoke manufacturing service available - manufactured utilising laser-cut technology, we have the ability to produce designs to suit your exact requirements.
- Please contact our technical sales department to discuss your requirements in greater detail.

Technical details

To ensure a quality appearance and maintenance free performance, all Phoenix letterplates and tidies are manufactured from 304 grade stainless steel, with double stainless steel springs on the external flap and a single spring on the internal flap.

Internal fixing with four bolt through stainless steel screws ensures a secure tamper proof externally mounted plate.

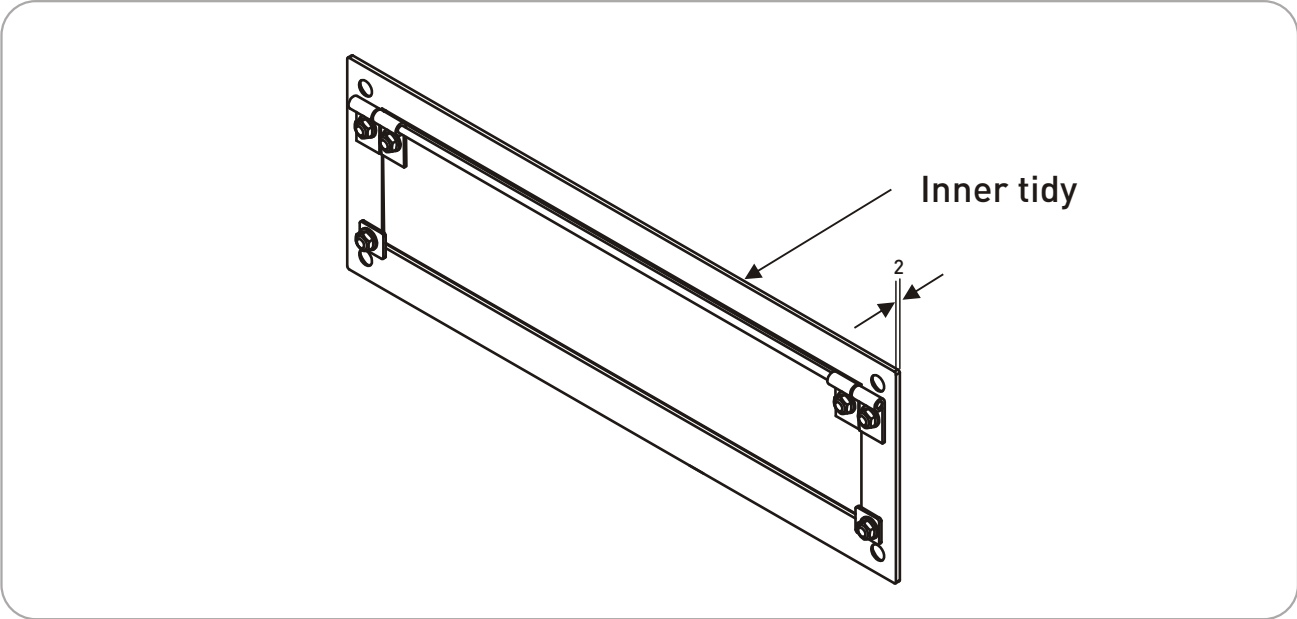
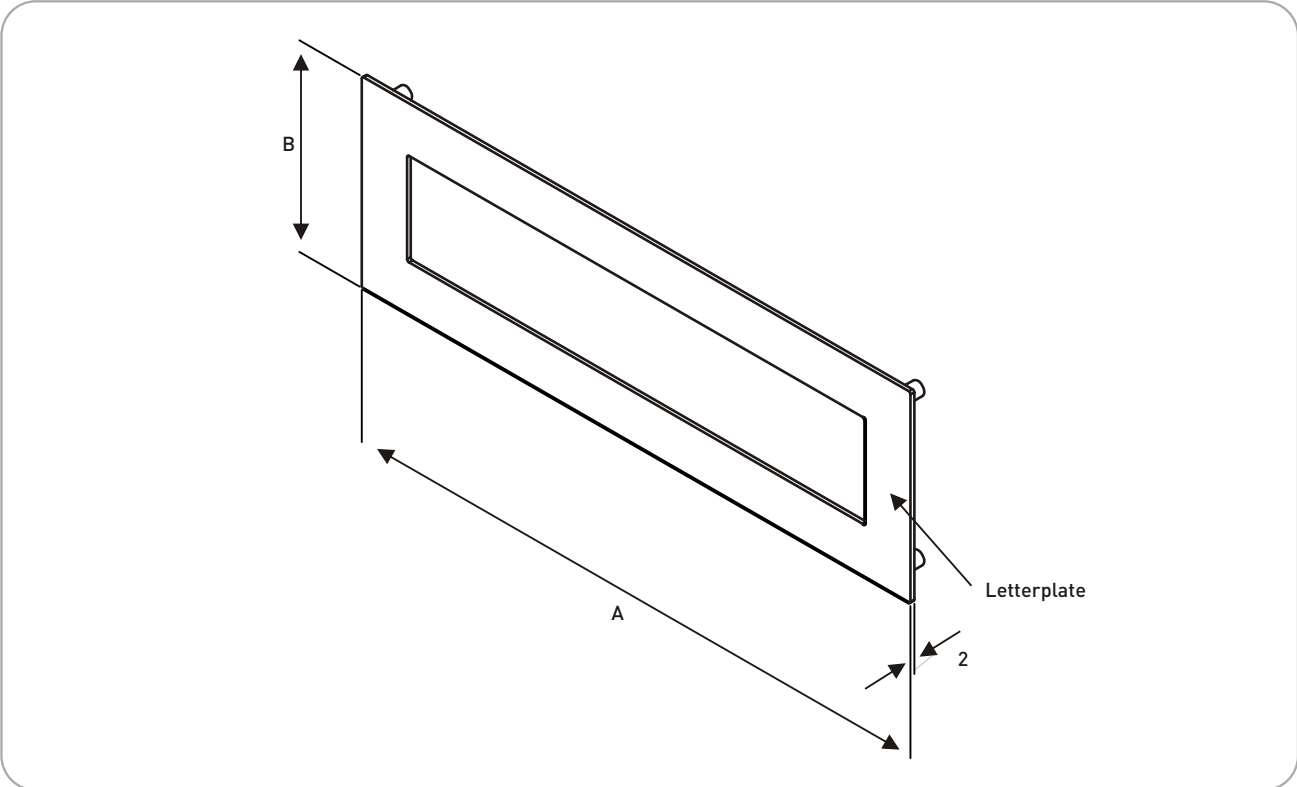
Standard finishes available are satin stainless steel or polished stainless steel. Overall letterplate sizes are 300 x 100mm and 400 x 125mm. other sizes are available to special order.

Architectural Letterplates

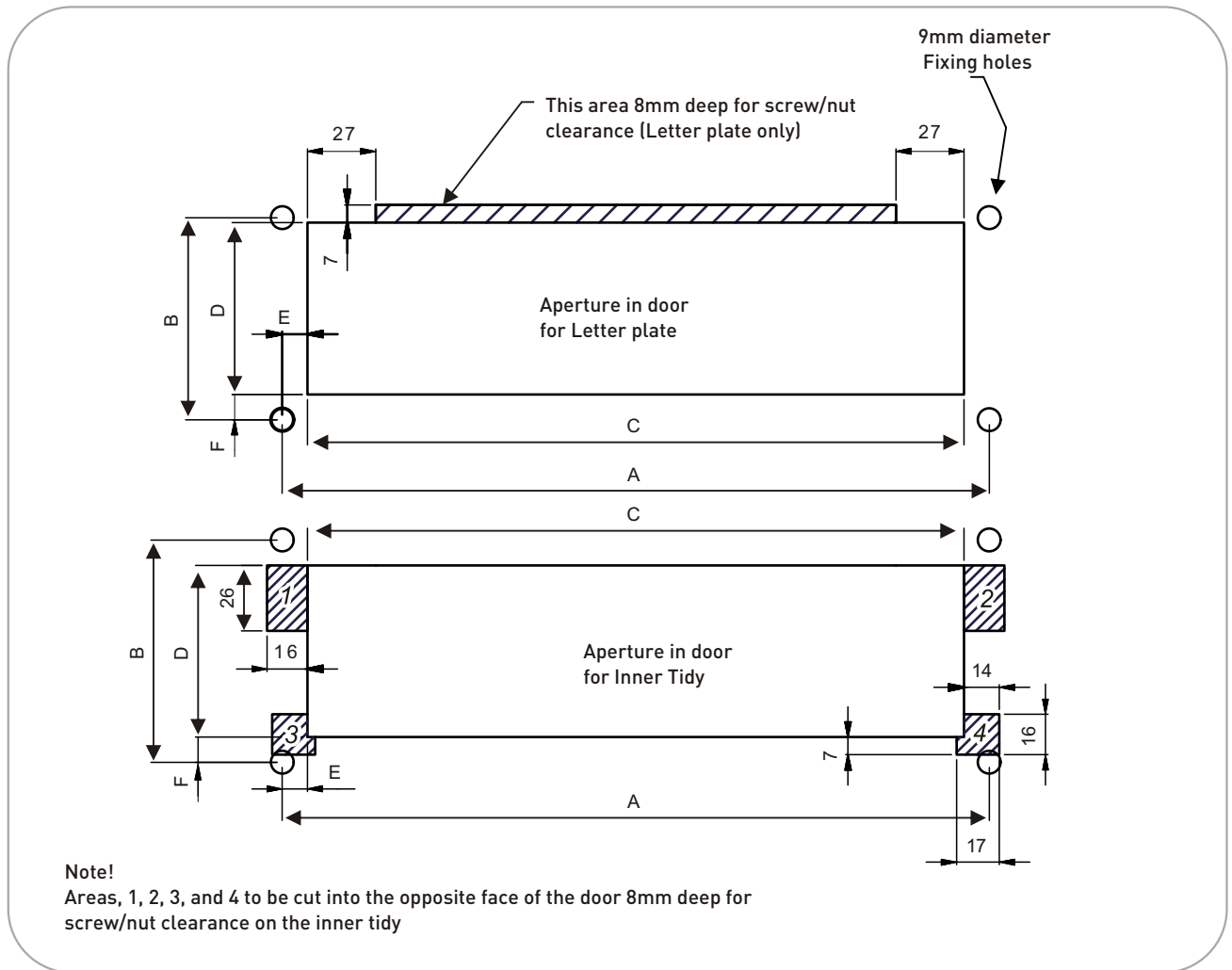
| Code Number Letter Plate | Code Number Inner Tidy | Dimension A | Dimension B |
|--|------------------------|-------------|-------------|
| 4040 | 4041 | 300mm | 100mm |
| 4060 | 4061 | 400mm | 125mm |
| Materials | | | |
| Stainless steel grade 304 Stainless steel grade 316 | | | |
| Finishes | | | |
| Satin polished (SSS) | | | |
| Bright polished (PSS) | | | |



Architectural Letterplates



Fitting Instructions



| Code Number | Dimension A | Dimension B | Dimension C | Dimension D | Dimension E | Dimension F |
|-------------|-------------|-------------|-------------|-------------|-------------|-------------|
| 4040 | 280mm | 80mm | 259mm | 66mm | 10mm | 10mm |
| 4060 | 380mm | 105mm | 359mm | 91mm | 10mm | 10mm |

1. Drill the four 9mm diameter holes
2. Cut the aperture in the door relative to the hole positions
3. Cut the shaded areas in the door for the screw / nut clearance in the Letter plate and tidy.