

Architectural Continuous Hinges and Door Edge Protection

Technical Specification - Issue 1

Phoenix is the brand for Cooke Brothers, which includes a comprehensive range of Hinges and innovative Architectural Door Products.

Phoenix Continuous Hinges provide an increasingly popular solution to hanging architectural doors, particularly in situations of heavy traffic or in applications where high security or anti vandal measures are a priority. Suitable for use on both Steel and Timber doorsets, Phoenix Architectural Continuous hinges have been specifically designed to be fitted to the full length of the door, ensuring equal distribution of fixings and increased load bearing capacity.

The range offers a comprehensive choice of open widths and lengths, suitable for a wide variety of door applications. The range also includes space saving Interleaf options and Anti-Ligature versions, designed for environments where the threat of self harm is evident.

56015 and 56016 models have been tested and certified to BS EN 1935: Grade 14 (160kg), plus the latest grade 15 (200kg). Fire tested to BS476 (60 minutes) and to the latest standard BS EN 1634: 30 minutes and 60 minutes. Door Edge Protection provides an effective solution to the problem of door damage, particularly in high traffic areas such as hotels, schools and hospitals. The Door Edge Protection range is available in a wide choice of materials and finishes.





Architectural Continuous Hinges

Cookes Architectural Hinges offer an excellent solution for doors that need to be highly resistant to attack or in situations where the door needs to be able to withstand high impact. The 56015 and the 56016 models are the highest security options having been fire tested and also offering clients the reassurance of the BS EN 1935 approval.

All of the products in the continuous range are particularly suitable for doors where anti-vandal measures are a priority. The hinge ensures increased load bearing capacity where the door is heavier than a normal door and can be used on both metal or timber door sets.

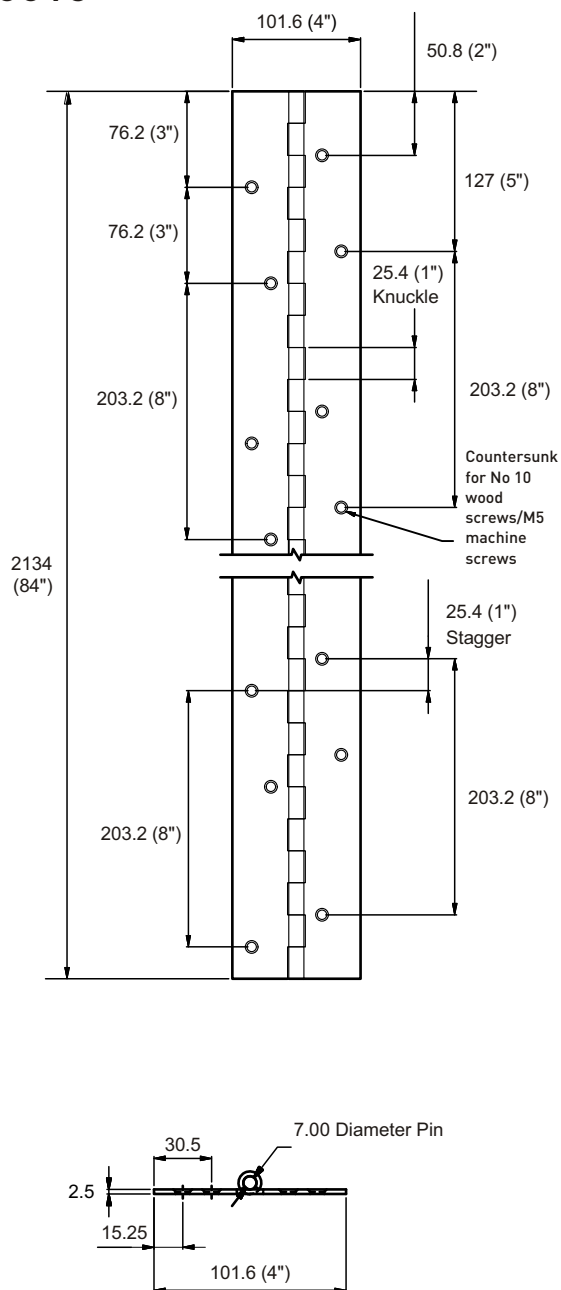
Heavier duty lengths available on request. Dog bolt version also available.

Architectural Continuous Hinges						
Code	Width (mm)	Length (mm)	Leaf Thickness (mm)	Fixing centres (mm)	Materials	Finishes
56015	101.6	2134	2.5	152.4	Stainless steel grade 304 and mild steel	Self colour, zinc plated, and satin polish
56016	76.2	2000	2.5	101.6	Stainless steel grade 304 and mild steel	Self colour, zinc plated, and satin polish (PSS)
56135	90.5	2134	2.5	To drawing	Stainless steel grade 304	Self colour and satin polish (PSS)
56152	106.5	2134	2.5	To drawing	Stainless steel grade 304	Self colour and satin polish (PSS)
56039	98	2100	2.5	170.0	Mild steel grade 304	Self colour and satin polish (PSS)
57076	76.2	2000	3.0	101.6	Stainless steel grade 304	Self colour and satin polish (PSS)
57077	101.6	2134	3.0	152.4	Stainless steel grade 304	Self colour and satin polish (PSS)
56015SB	101.6	2134	2.5	76.2	Stainless steel grade 304	Self colour and satin polish (PSS)
56016SB	76.2	2000	2.5	101.6	Stainless steel grade 304	Self colour and satin polish (PSS)

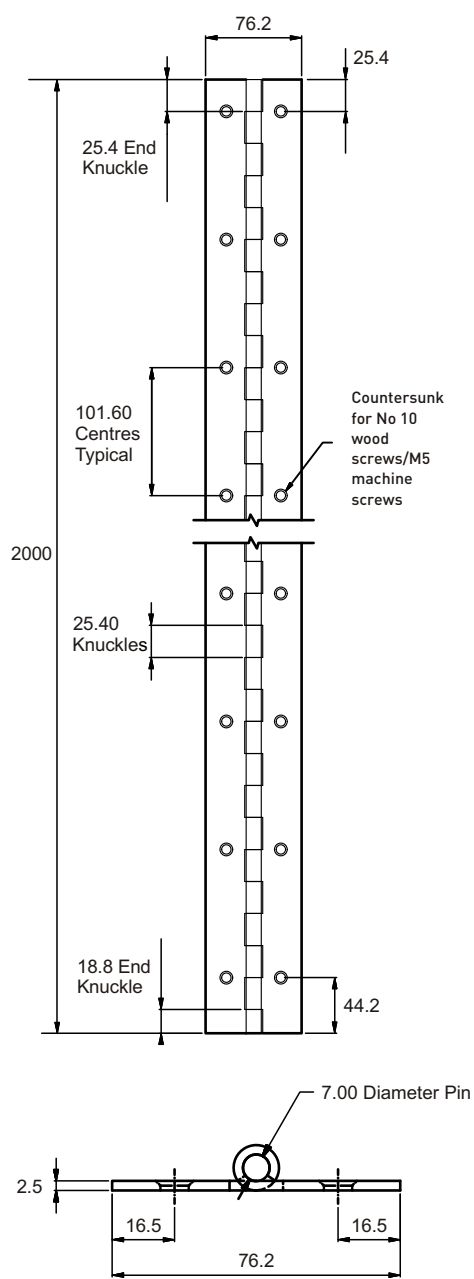
Architectural Continuous Hinges

56015 and 56016 models have been tested and certified to BS EN 1935: Grade 14 (160kg), plus the latest grade 15 (200kg). Fire tested to BS476 (60 minutes) and to the latest standard BS EN 1634: 30 minutes and 60 minutes.

56015

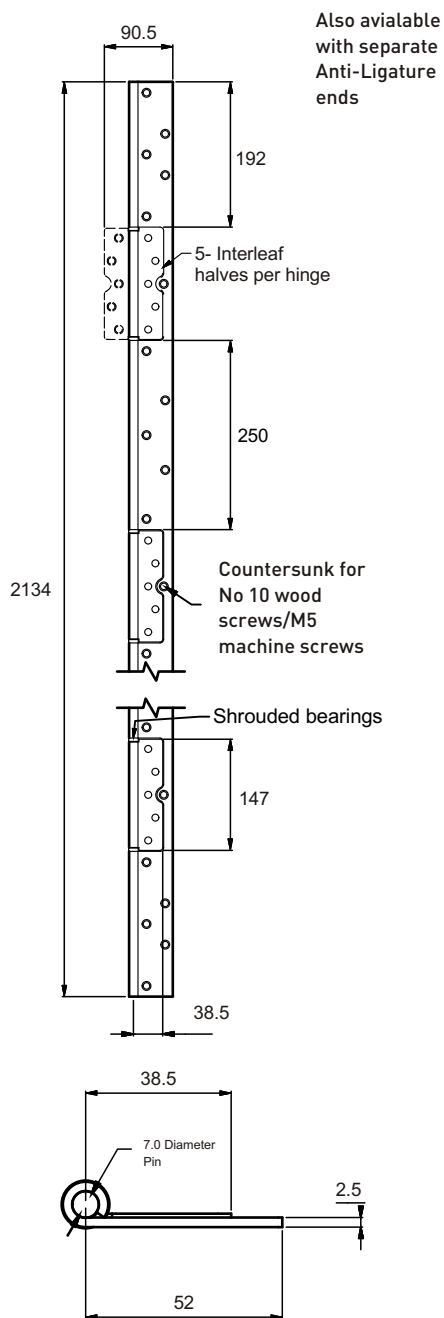


56016

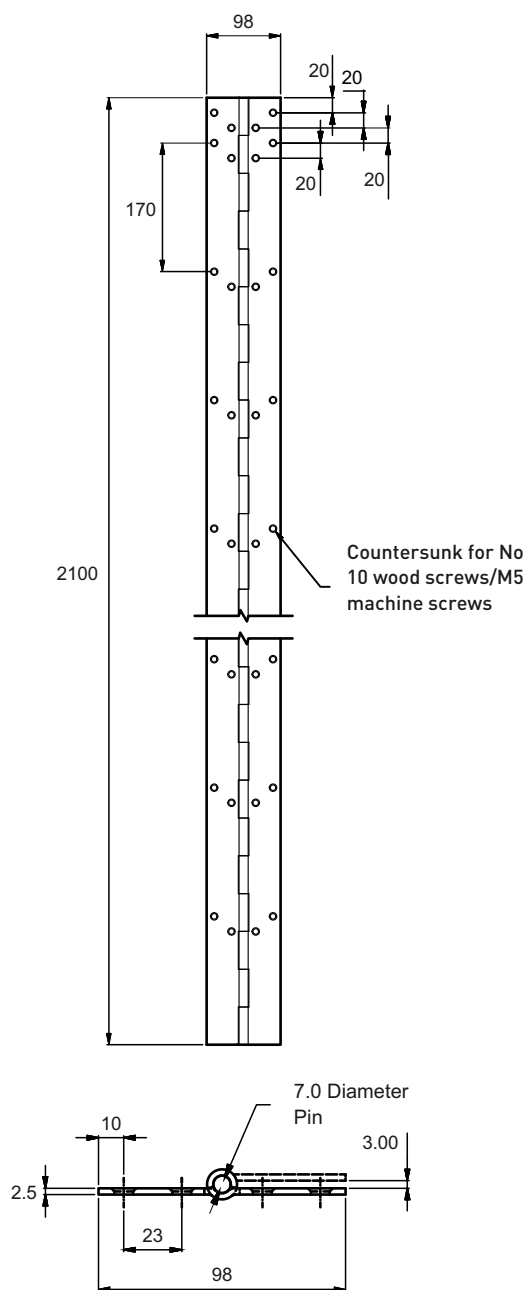


Architectural Continuous Hinges

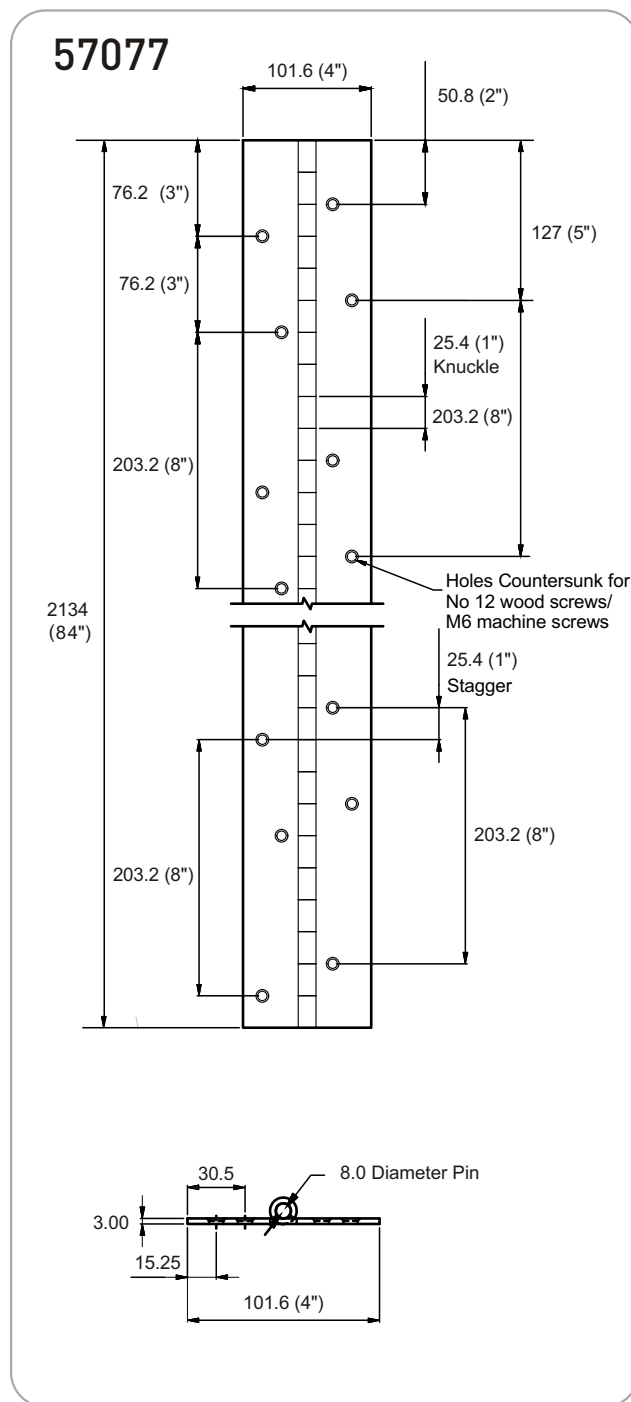
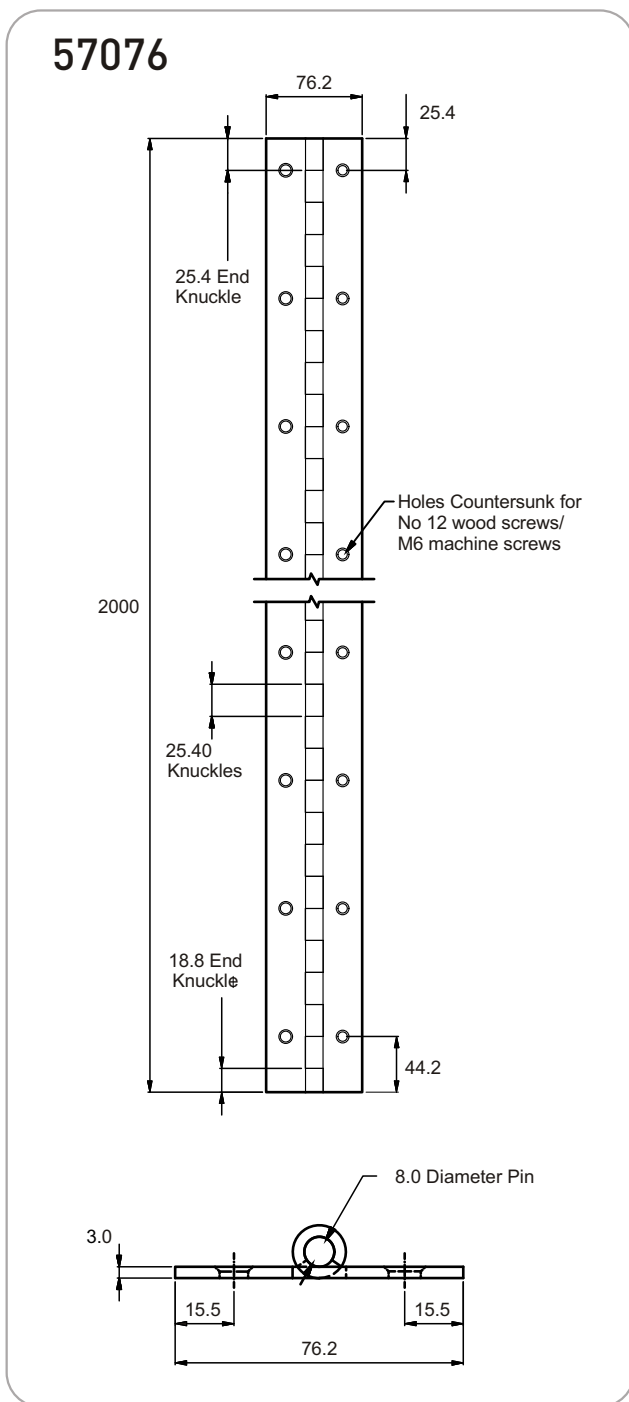
56135 and 56152



56039

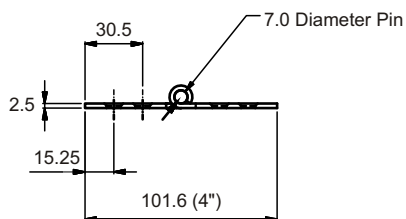
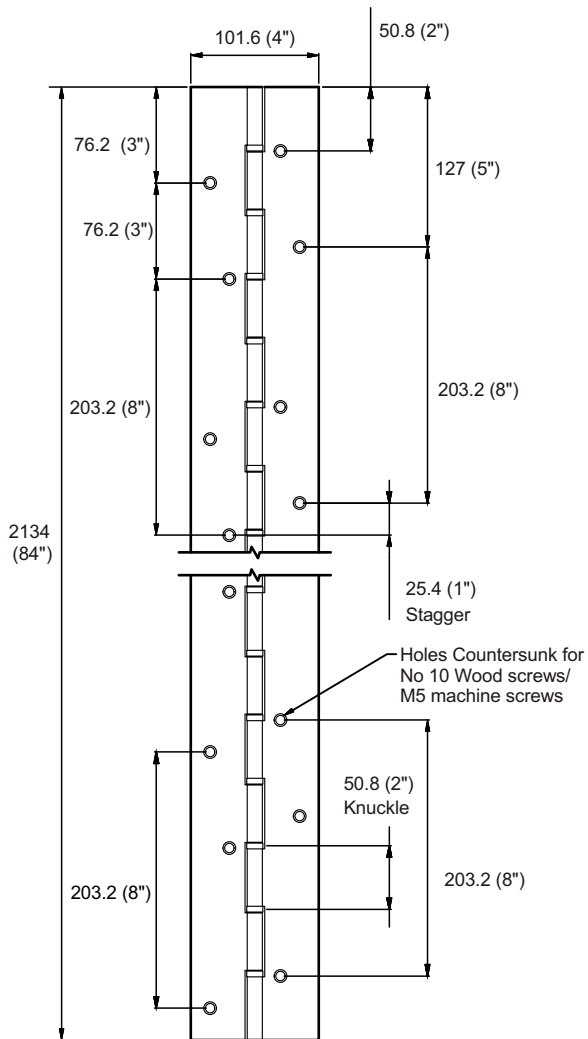


Architectural Continuous Hinges

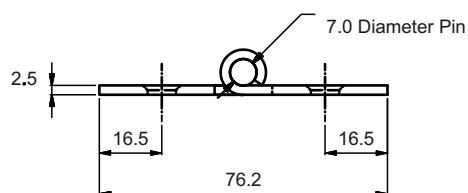
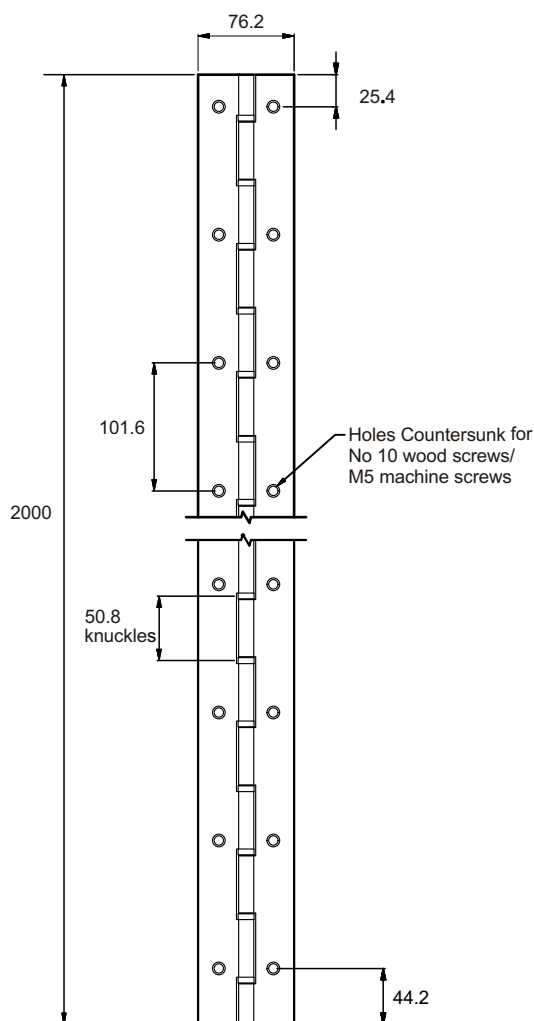


Architectural Continuous Hinges

56015SB



56016SB



Door Edge Protection

Phoenix Door Edge Protection will help reduce damage and wear and tear to door edges, helping maintain appearance and on older doors improving unsightly damaged edges.

The Edge Protectors are available in a choice of materials and finishes enabling designers and specifiers to suite them with other architectural hardware.

They are particularly useful in high traffic areas or situations where heavy impact and damage is likely.

Door edge protection for lock side is also available. Please contact our technical sales team to discuss your requirements.

56090 CH Door Edge Protector

Code			
Length (mm)	Leaf Thickness (mm)	Fixing centres (mm)	
56090CH			
44mm door thickness	To order	2	76.2
54mm door thickness	To order	2	76.2

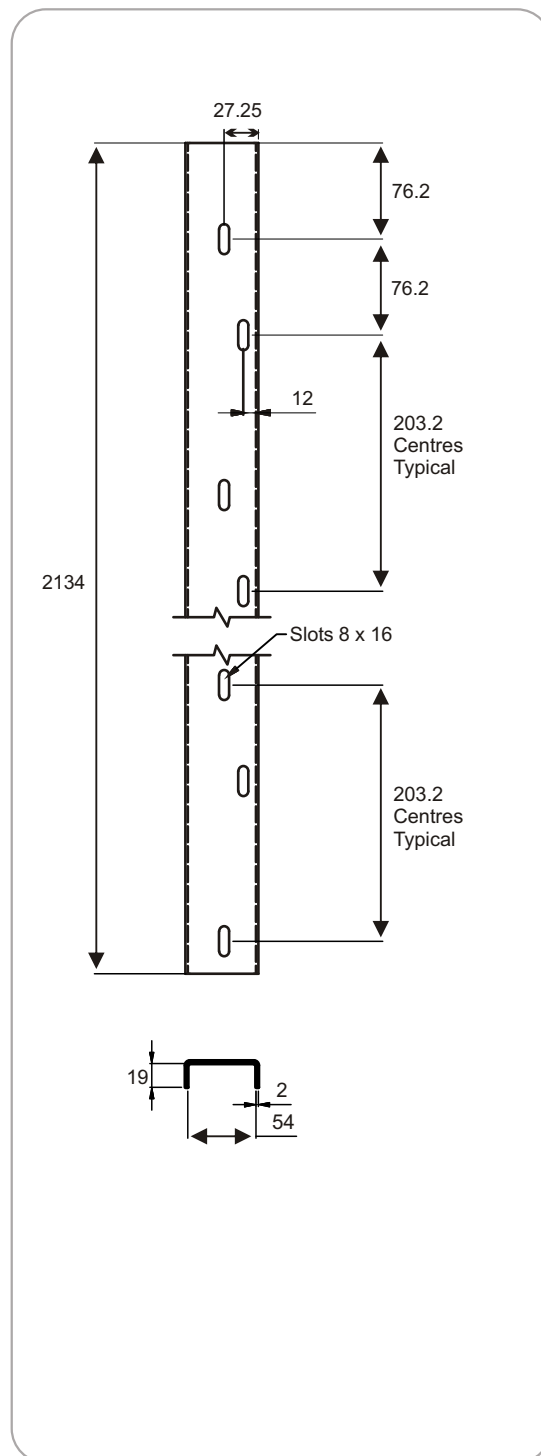
Materials

Stainless steel grade 304

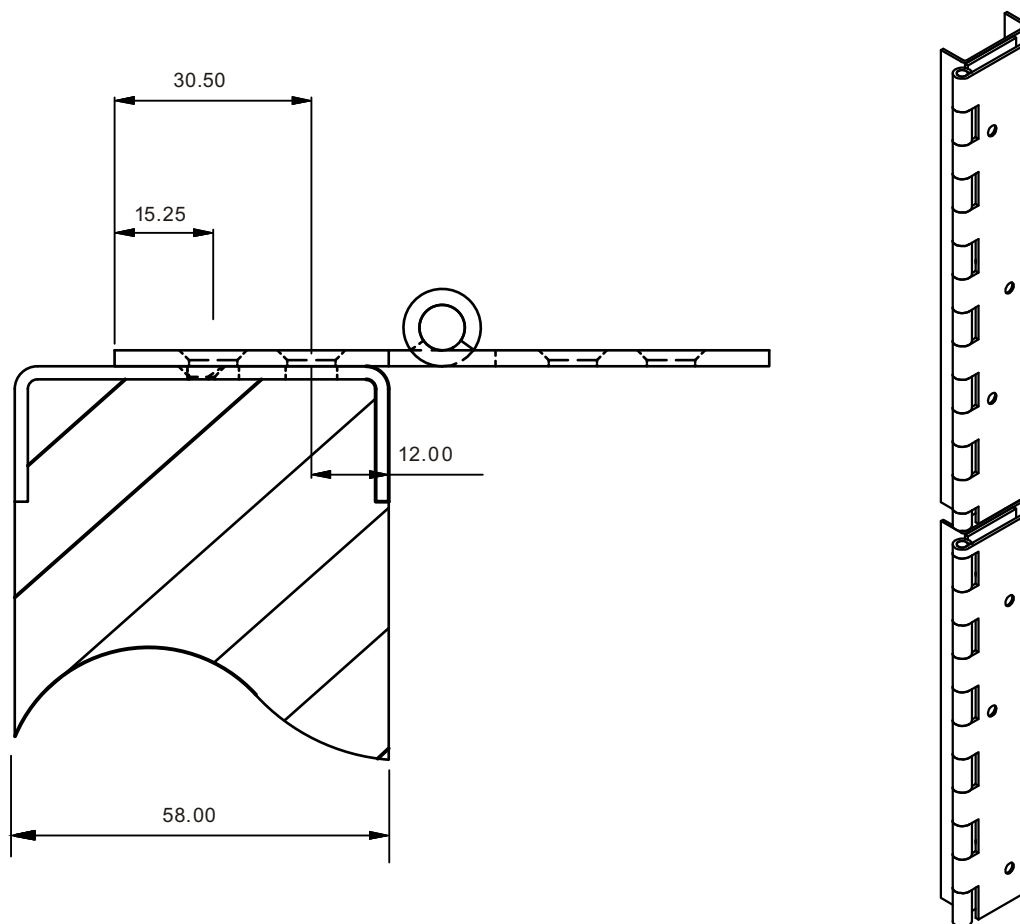
Finishes

Satin polished (SSS)

Bright polished (PSS)



Door Edge Protection - Fitting Instructions



Position channel on to edge of door.
Fix using small fixing holes.
Place hinge over channel and fix through slotted holes.

Door edge protection for lock side is also available please
contact our technical sales team to discuss your
requirements.